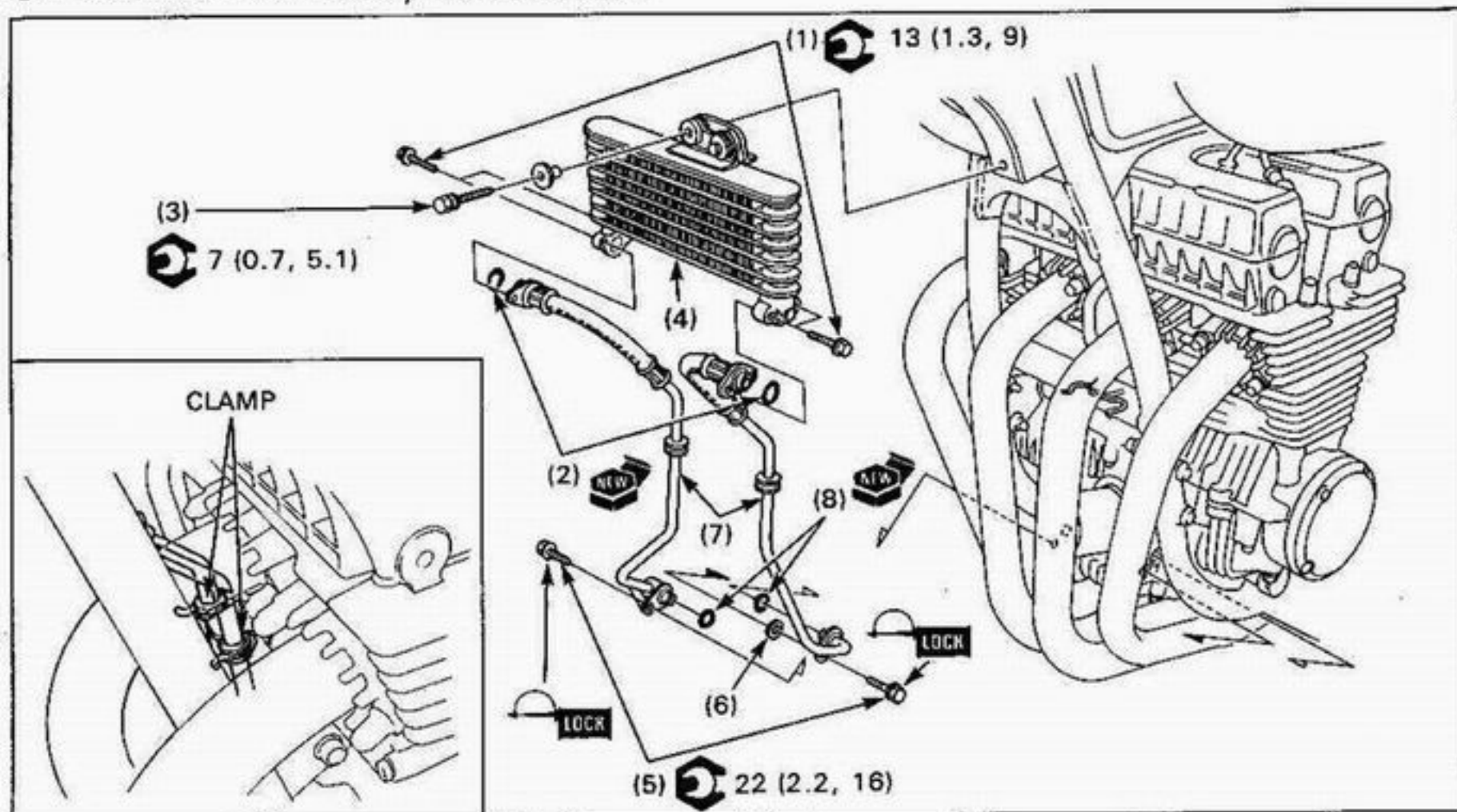


Oil Cooler Removal/Installation



⚠ WARNING

- Do not service the exhaust system while it is hot.

NOTE

- Use care to prevent dust and dirt from entering the engine.
- After installation, check that there are no oil leaks.

Requisite Service

- Engine oil draining/refill

Procedure	Q'ty	Remarks
Removal Order		Installation is in the reverse order of removal.
(1) Oil hose joint bolt (upper)	4	
(2) O-ring	2	
(3) Oil cooler mounting bolt	1	
(4) Oil cooler	1	
(5) Oil hose joint bolt (lower)	2	
(6) Washer	1	
(7) Oil hose	2	Be careful not bend the hose.
(8) O-ring	2	