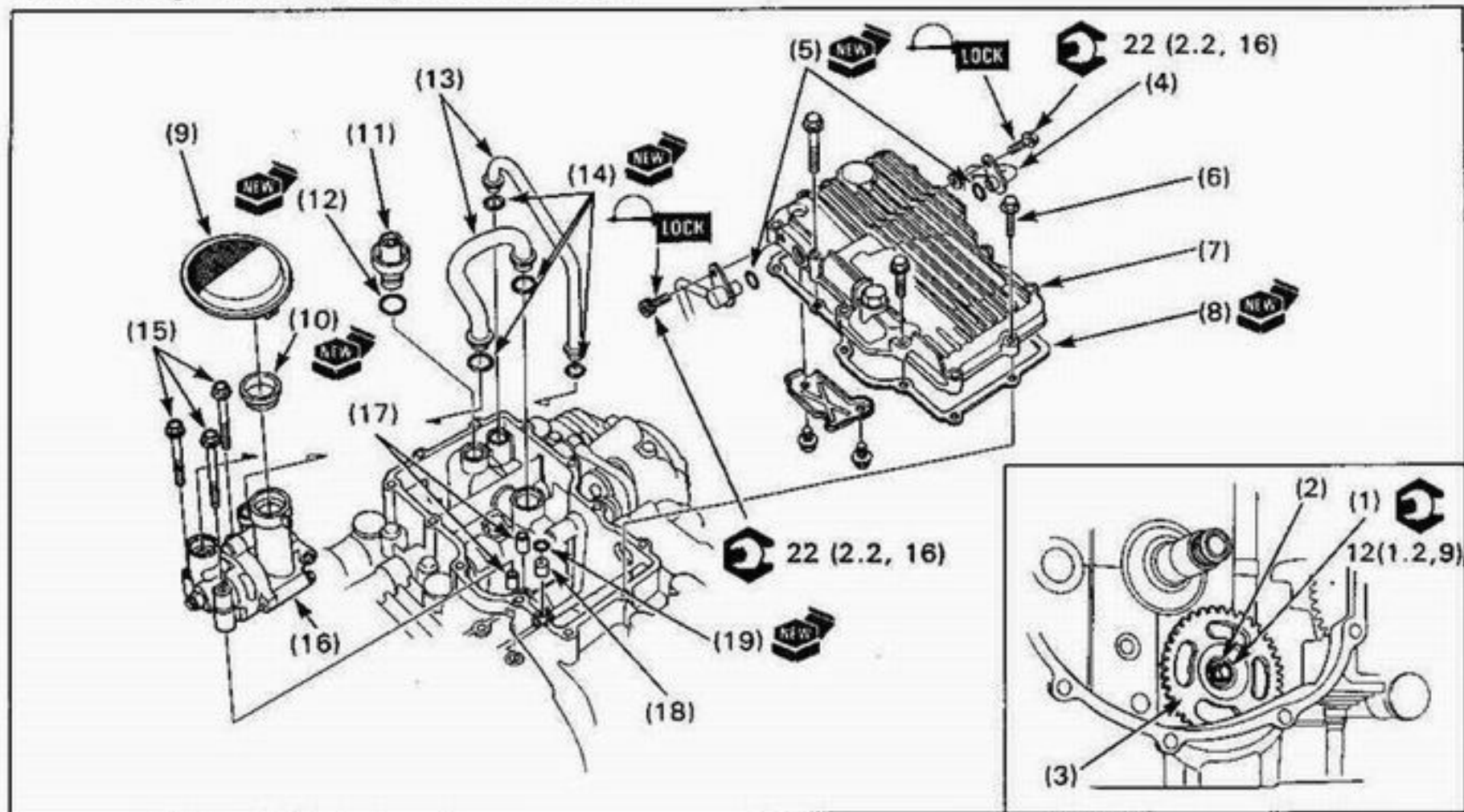


Oil Pump Removal/Installation



NOTE

- Use care to prevent dust and dirt from entering the engine.
- After installation, check that there are no oil leaks.

Requisite Service

- Engine oil draining/refill
- Clutch removal/installation (page 8-4, 6)
- Exhaust system removal/installation (page 2-6)

| Procedure | Q'ty | Remarks |
|-----------------------------------|------|---|
| Removal Order | | Installation is in the reverse order of removal. |
| (1) Oil pump driven sprocket bolt | 1 | |
| (2) Washer | 1 | |
| (3) Oil pump driven sprocket | 1 | |
| (4) Oil hose | 2 | |
| (5) O-ring | 2 | |
| (6) Oil pan bolt | 12 | |
| (7) Oil pan | 1 | |
| (8) Gasket | 1 | |
| (9) Oil strainer | 1 | Clean with a non-flammable or high flash point solvent. |
| (10) O-ring | 1 | |
| (11) Pressure relief valve | 1 | |
| (12) O-ring | 1 | |
| (13) Oil pipe | 2 | |
| (14) O-ring | 4 | |
| (15) Oil pump mounting bolt | 3 | |
| (16) Oil pump assembly | 1 | |
| (17) Dowel pin | 2 | |
| (18) Oil orifice | 1 | |
| (19) O-ring | 1 | |