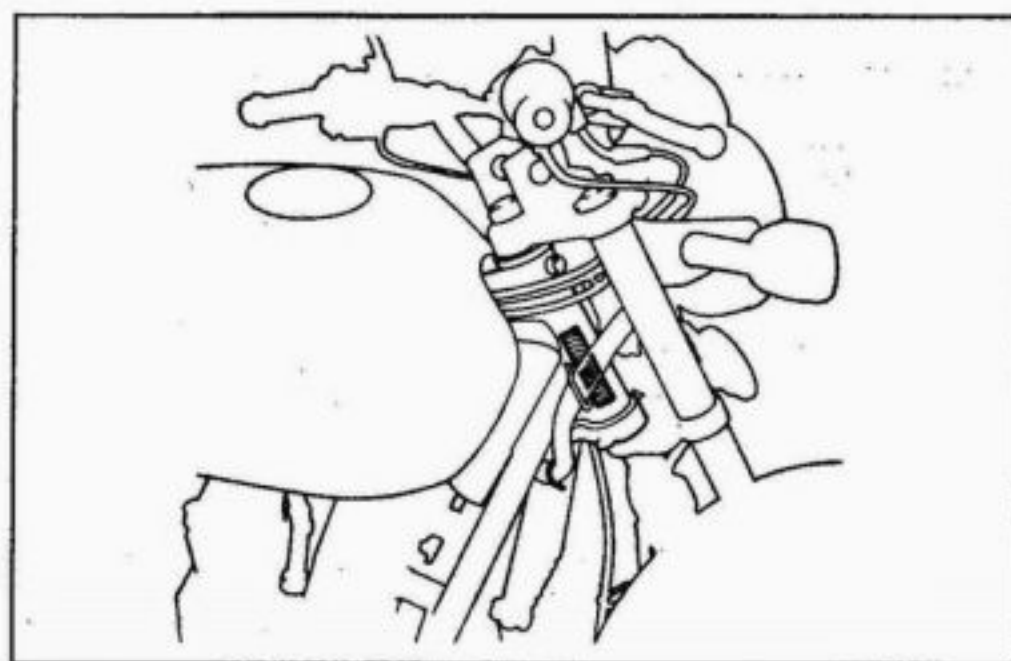
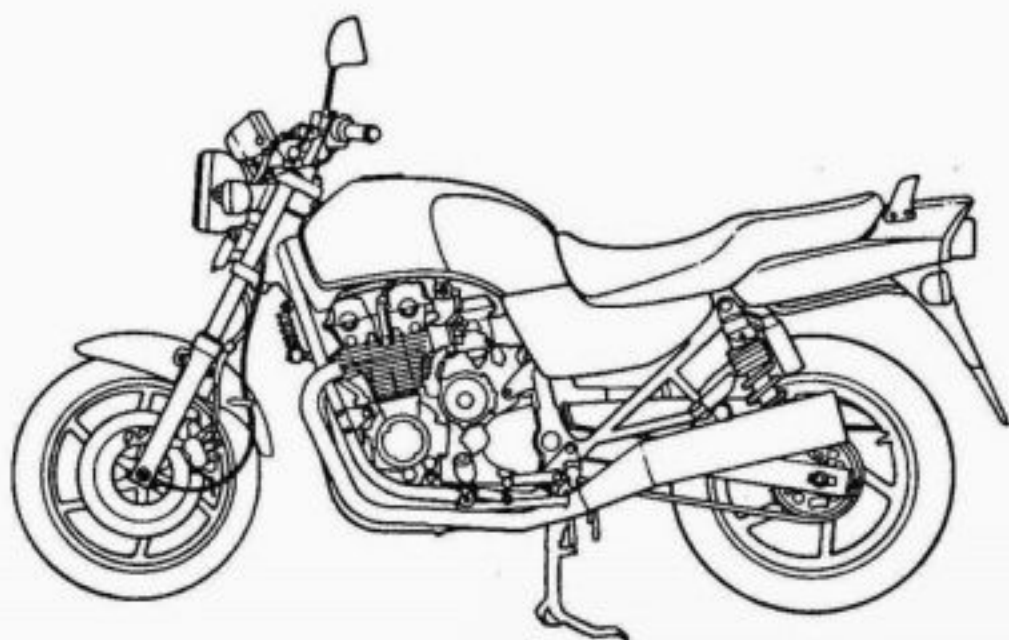
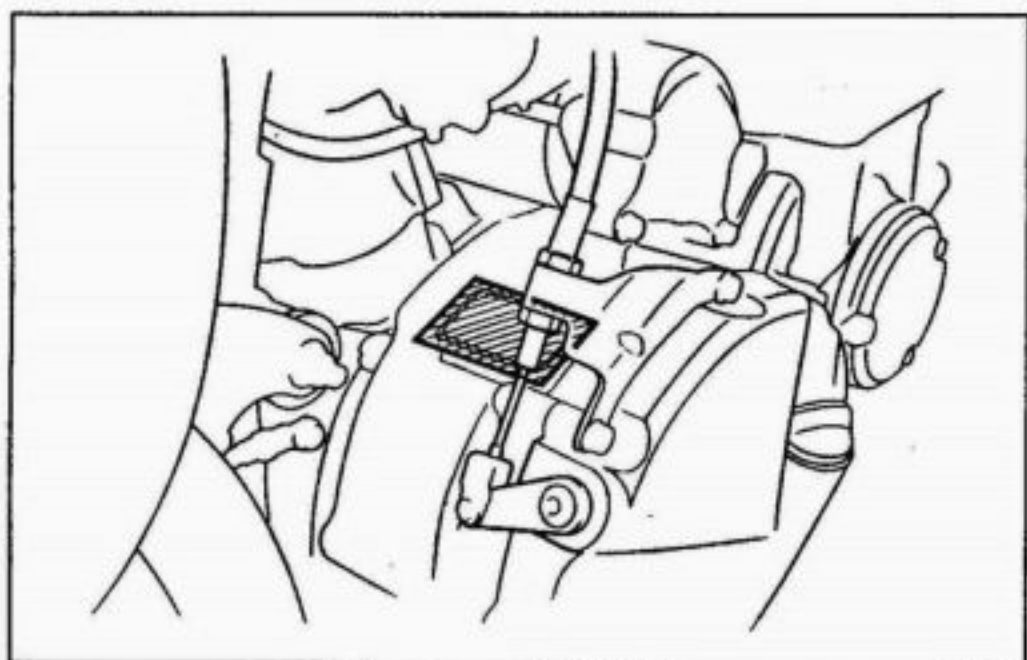


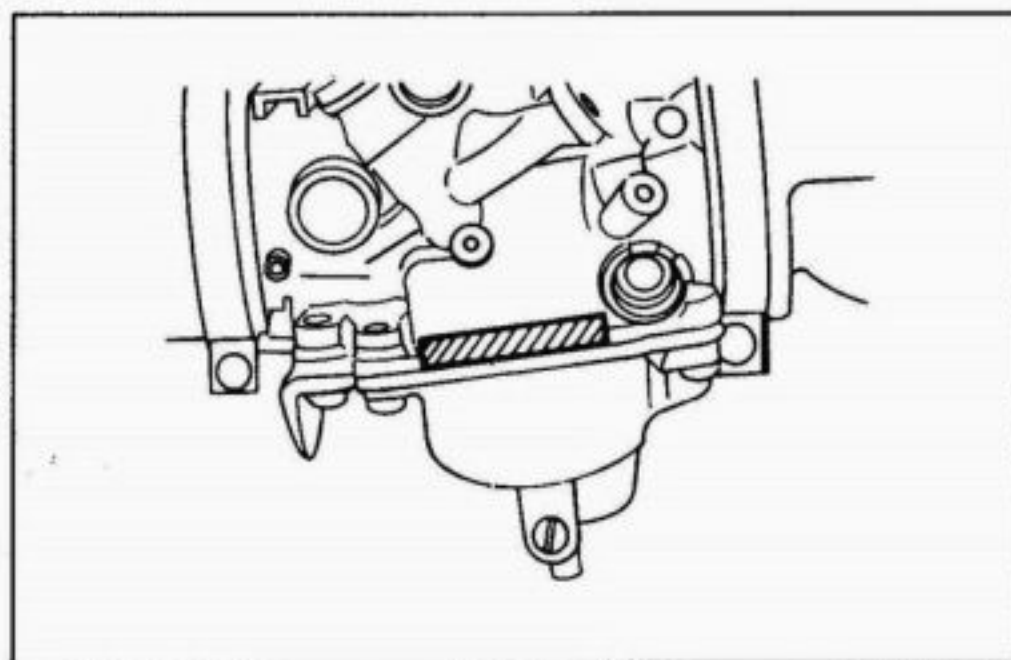
Model Identification



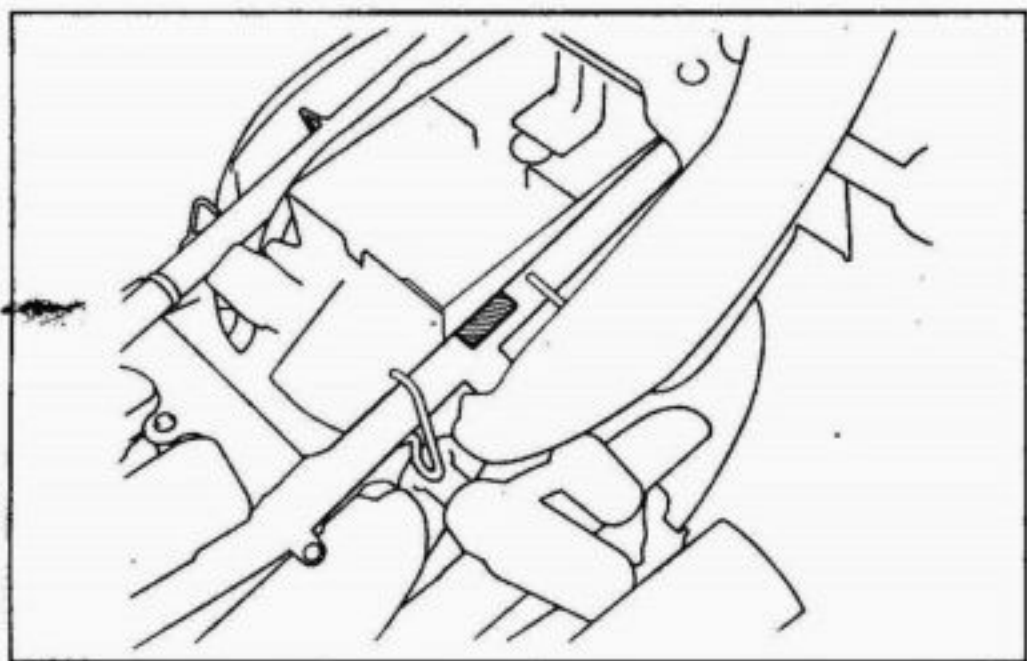
(1) The frame serial number is stamped on the right side of the steering head.



(2) The engine serial number is stamped on the upper right of the crankcase.



(3) The carburetor identification number is stamped on the left side of the carburetor body.



(4) The color label is attached as shown. When ordering color-coded parts, always specify the designated color code.