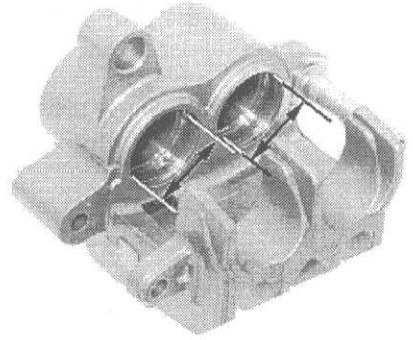


INSPECTION

Check the caliper cylinder for scoring or other damage.

Measure the caliper cylinder I. D.

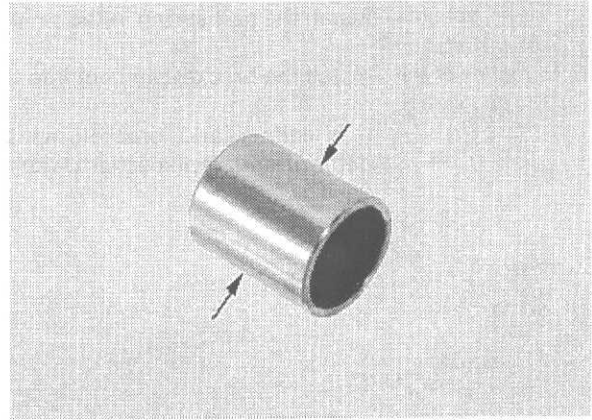
SERVICE LIMIT: 27.060 mm (1.0654 in)



Check the caliper pistons for scratches, scoring or other damage.

Measure the caliper piston O. D.

SERVICE LIMIT: 26.910 mm (1.0594 in)



ASSEMBLY

