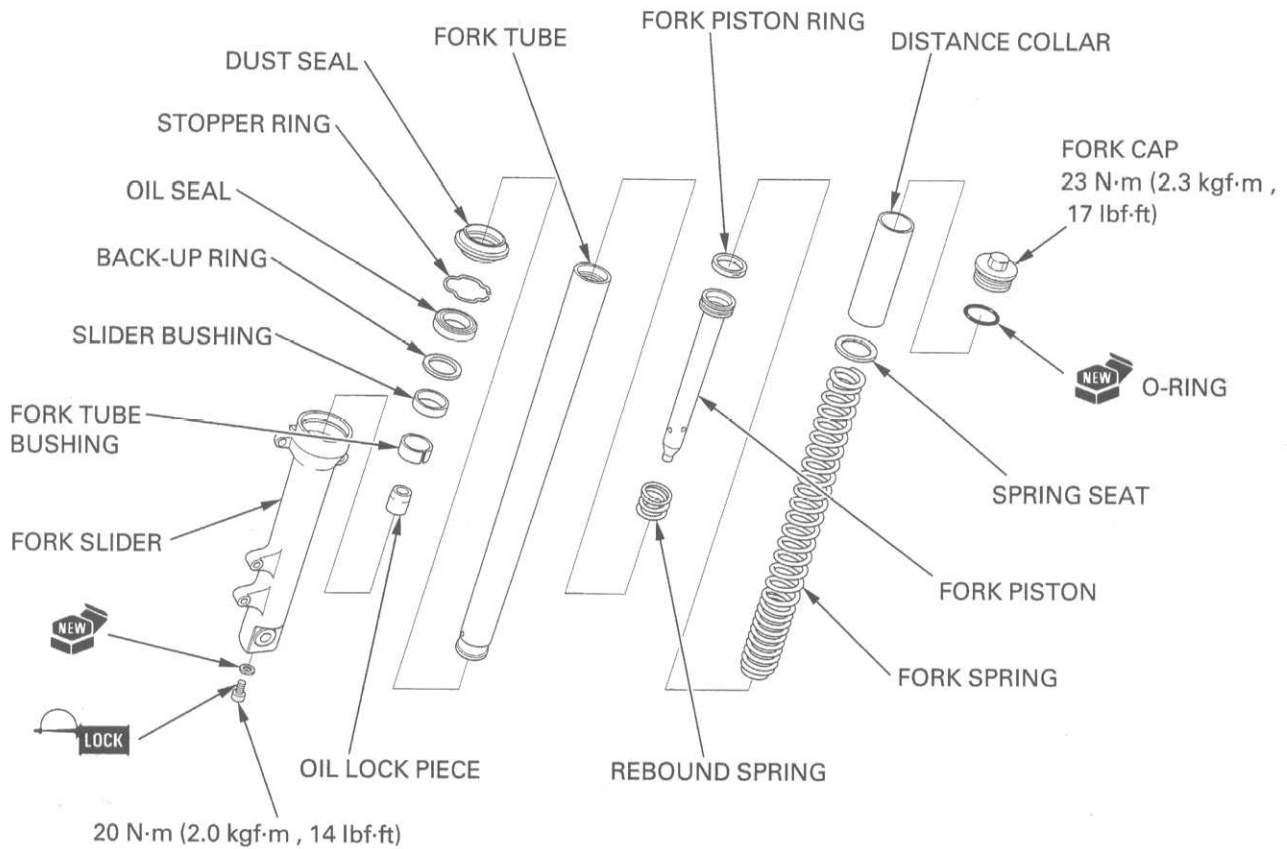
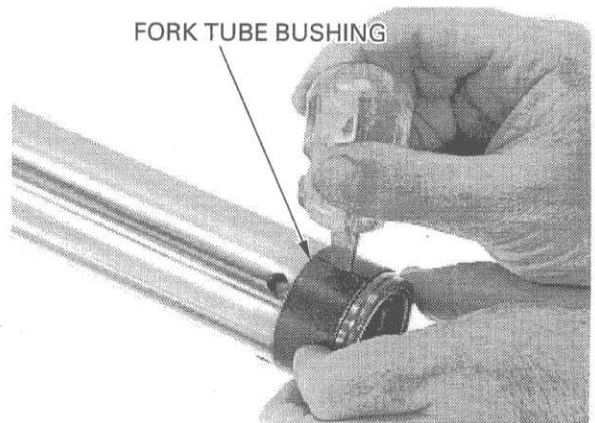


ASSEMBLY



Before assembly, wash all parts with a high flash or non-flammable solvent and wipe them dry.

Install a new fork tube bushing if the bushing has been removed.



Install the rebound spring to the fork piston.
Install the rebound spring and fork piston into the fork tube.
Install the oil lock piece onto the fork piston end.

Apply recommended fork fluid to the fork tube bushing, then install the fork tube into the fork slider.

