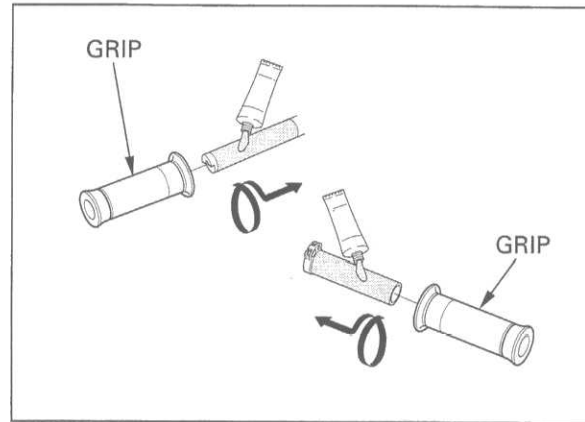


If the handlebar grips were removed, apply Honda Bond A or equivalent to the inside of the grip and to the clean surfaces of the right and left handlebar.

Wait 3–5 minutes and install the grip.  
Rotate the grip for even application of the adhesive.

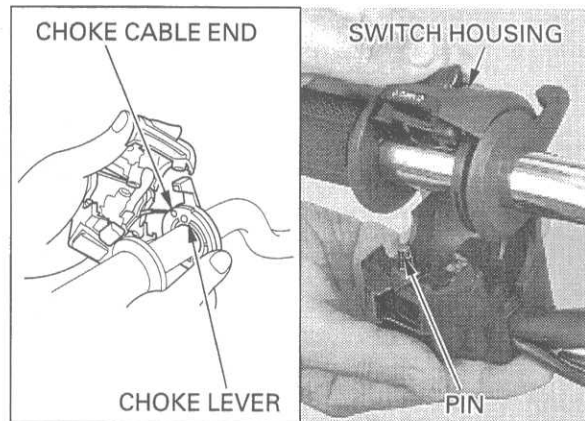
**NOTE:**

Allow the adhesive to dry for an hour before using.

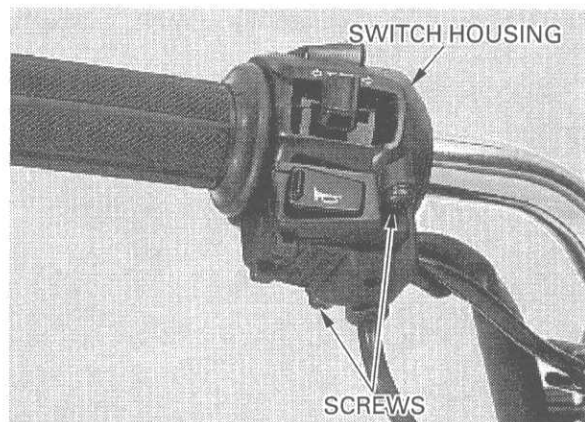


Connect the choke cable to the choke lever.

Install the left handlebar switch aligning its locating pin with the hole in the handlebar.



Tighten the forward screw first, then the rear screw.



Install the clutch lever bracket assembly aligning the end of the bracket with the punch mark on the handlebar.

Install the clutch lever bracket holder with the "UP" mark facing up.

Tighten the upper bolt first, then the lower bolt.

**TORQUE:** 12 N·m (1.2 kgf·m , 9 lbf·ft)

Connect the clutch switch wire connectors.

