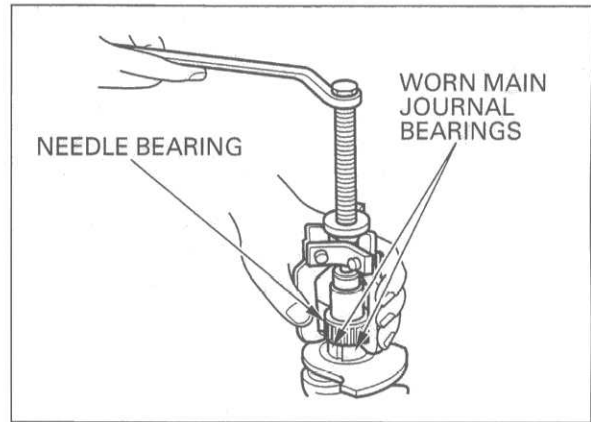


## STARTER CLUTCH NEEDLE BEARING REPLACEMENT

Remove the needle bearing with a commercially available universal bearing puller.

### CAUTION:

*To protect the crankshaft main journal from the bearing puller claws, cover the main journal properly; worn main journal bearings are usable as protectors.*

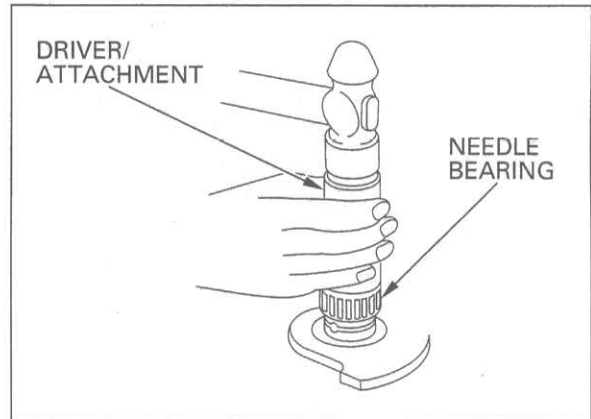


Drive a new needle bearing onto the crankshaft.

### TOOLS:

Driver, 40 mm I.D. 07746-0030100

Attachment, 30 mm I.D. 07746-0030300



## INSTALLATION

Install the main journal bearings into the upper and lower crankcase.

### NOTE:

The bearing tabs should be aligned with the grooves in the case.

Apply molybdenum disulfide oil to the upper and lower main journal bearings.

Install the crankshaft.

### CAUTION:

*Before installation, position all the pistons at TDC (Top Dead Center) to prevent damaging the crank pin with the connecting rod bolt threads.*

