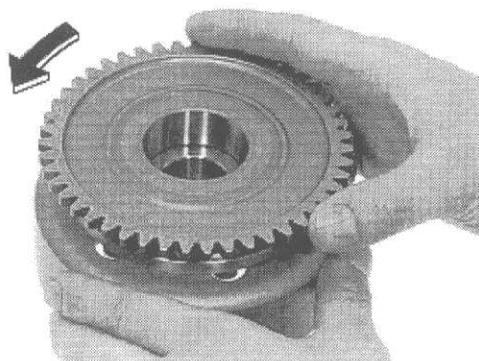


STARTER CLUTCH

INSPECTION

Check the operation of the one-way clutch by turning the driven gear.

You should be able to turn the driven gear counterclockwise smoothly, but the gear should not turn clockwise.



DISASSEMBLY

Remove the starter driven gear by turning it counterclockwise.

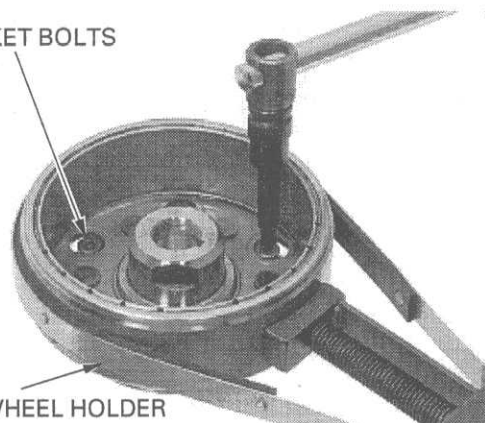
Hold the flywheel with a flywheel holder, and remove the starter clutch mounting socket bolts.

TOOL:

Flywheel holder 07725-0040000

SOCKET BOLTS

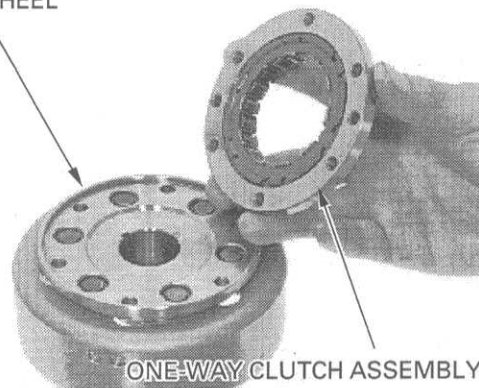
FLYWHEEL HOLDER



Remove the starter one-way clutch assembly.

FLYWHEEL

ONE-WAY CLUTCH ASSEMBLY



INSPECTION

Check the starter driven gear for abnormal wear or damage.

Measure the starter driven gear boss O.D.

SERVICE LIMIT: 51.684 mm (2.0348 in)

