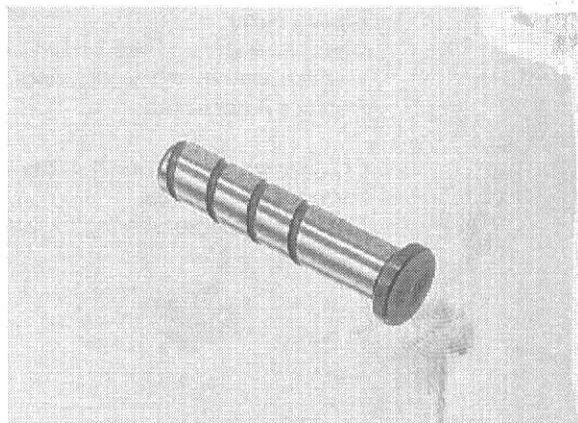


## Clutch lifter rod

Check the clutch lifter rod for wear or damage.

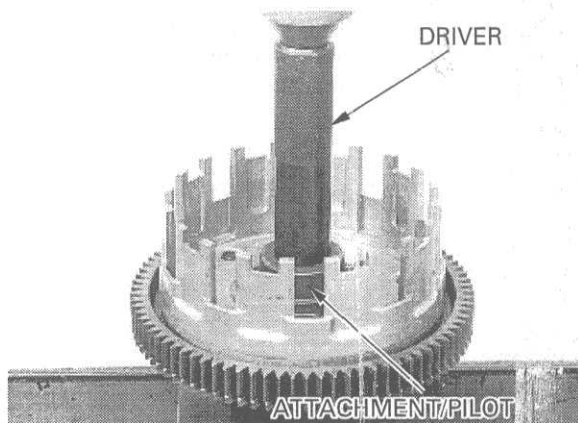


## CLUTCH OUTER NEEDLE BEARING REPLACEMENT

Press the needle bearing out of the clutch outer using the special tools.

### TOOLS:

Driver	07749-0010000
Attachment, 37 × 40 mm	07746-0010200
Pilot, 35 mm	07746-0040800



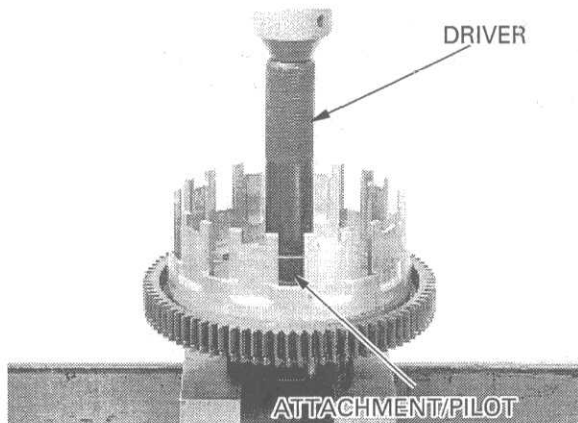
Press a new needle bearing into the clutch outer so that the casing of the needle bearing is flush with the inner edge of the clutch outer as shown.

### NOTE:

Press the needle bearing into the clutch outer with the marked side facing up.

### TOOLS:

Driver	07749-0010000
Attachment, 42 × 47 mm	07746-0010300
Pilot, 35 mm	07746-0040800



## INSTALLATION

Apply molybdenum disulfide oil to the clutch outer needle bearing.

Install the clutch outer onto the mainshaft by positioning the projections of the crankcase between the teeth of the primary driven gears.

