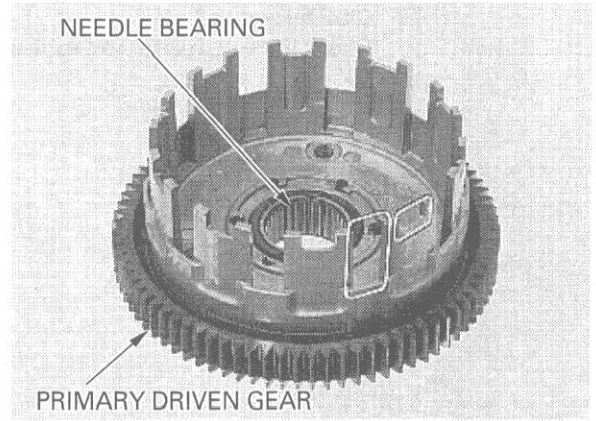


Clutch outer

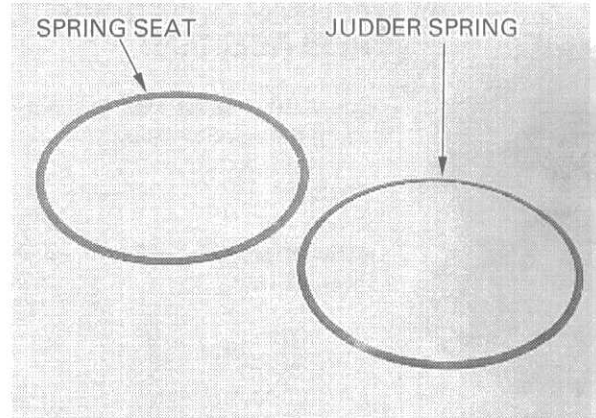
Check the slots of the clutch outer for damage or wear caused by the clutch discs.
Replace if necessary.

Check the serrated teeth of the primary driven gear for wear or damage.
Check the needle bearing for wear or damage.



Judder spring/spring seat

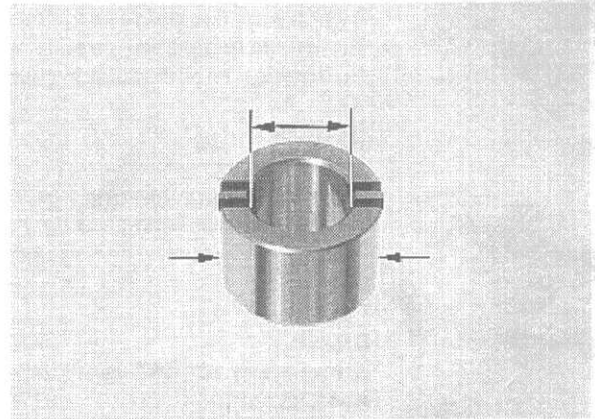
Check the judder spring and seat for damage or warpage.



Clutch outer guide

Measure the O.D. and I.D. of the clutch outer guide.

SERVICE LIMITS: O.D.: 34.965 mm (1.3766 in)
I.D.: 22.017 mm (0.8668 in)



Mainshaft

Measure the mainshaft O.D. at clutch outer guide sliding surface.

SERVICE LIMIT: 21.95 mm (0.864 in)

