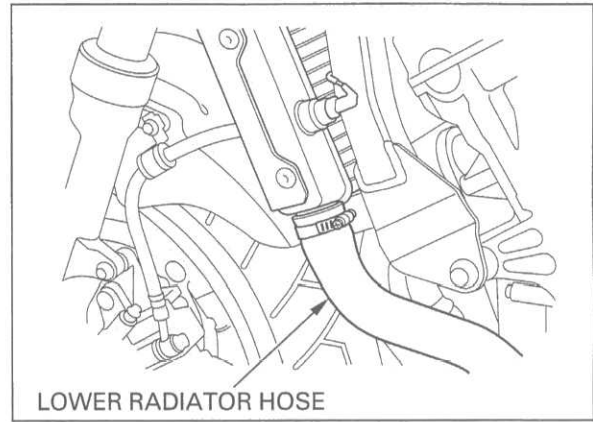
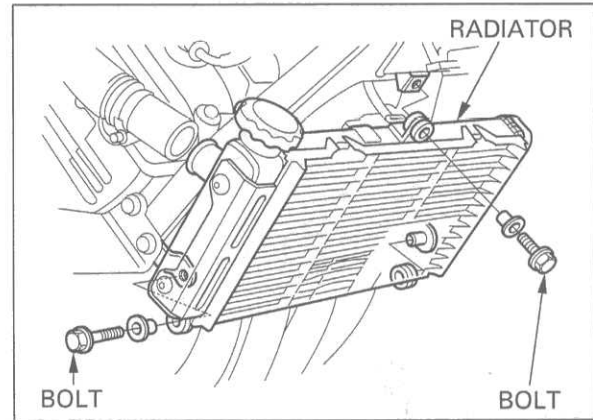


## COOLING SYSTEM

Disconnect the lower radiator hose from the left side of the radiator.

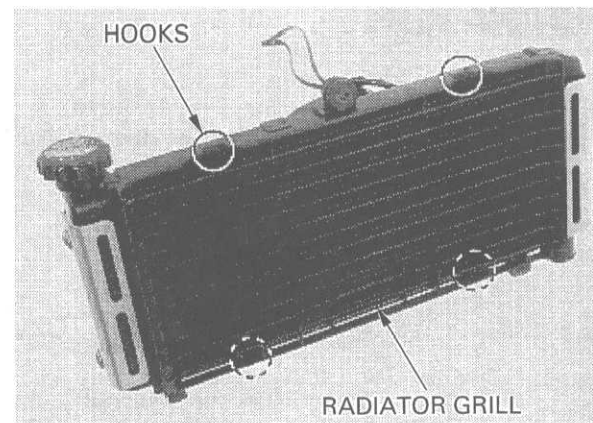


Remove the radiator mounting bolts.  
Remove the radiator from the right side.



## COOLING FAN DISASSEMBLY

Release the hooks and remove the radiator grill.



Disconnect the fan motor switch connector and release the sub-harness from the clamp.  
Remove the three bolts, ground eyelet and fan motor/shroud assembly.

