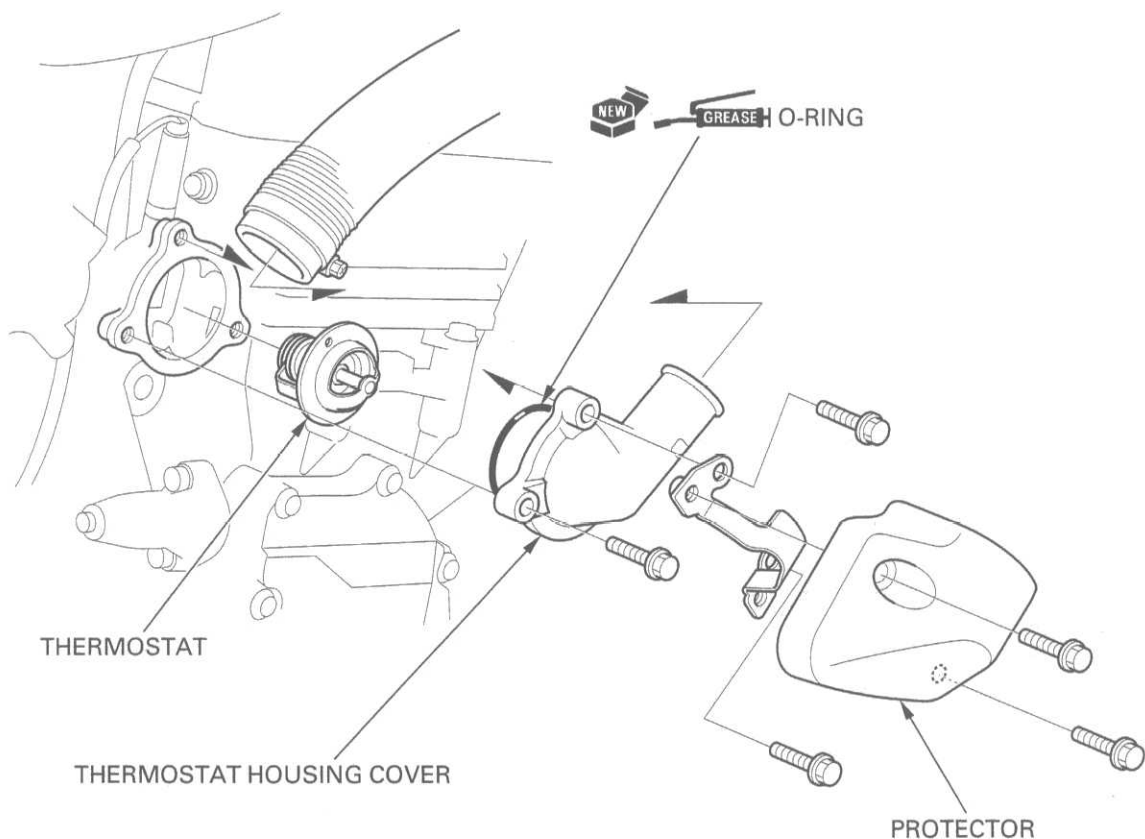


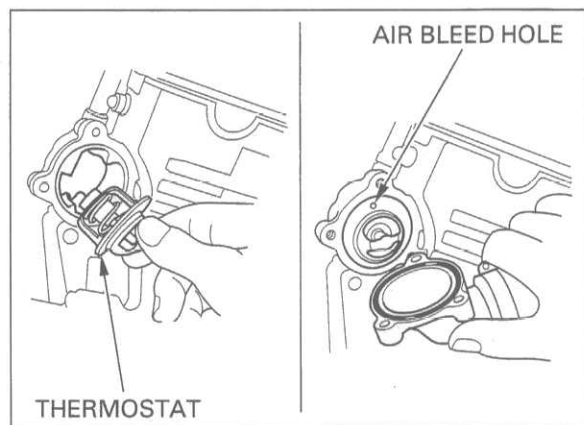
INSTALLATION



Install the thermostat into the housing with its air bleed hole facing up.

NOTE:

Align the thermostat body with the groove of the housing.



Apply grease to the new O-ring and install it into the thermostat housing cover groove. Install the thermostat housing cover onto the housing.

