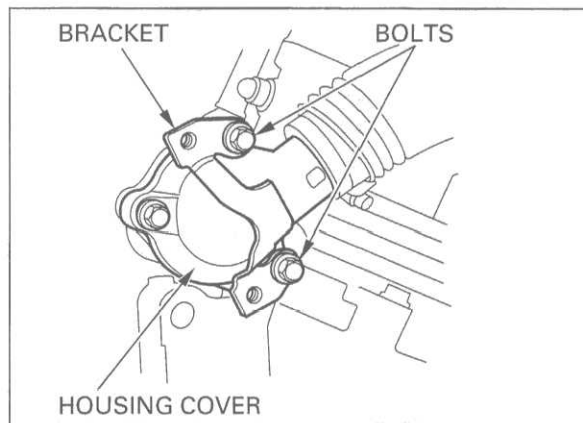
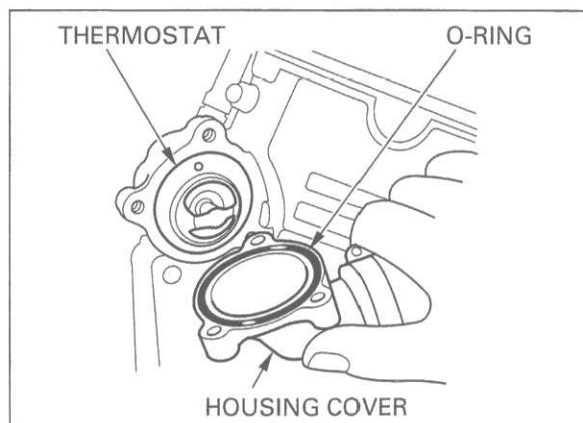


Remove the three bolts, protector bracket and thermostat housing cover.



Remove the O-ring from the thermostat housing cover.  
Remove the thermostat from the housing.



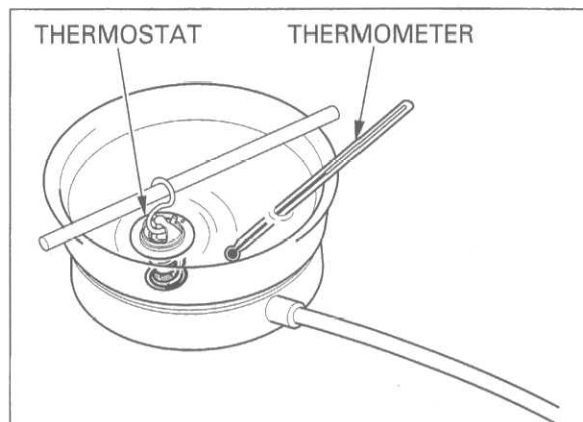
**INSPECTION**

**▲WARNING**

- *Wear insulated gloves and adequate eye protection.*
- *Keep flammable materials away from the electric heating element.*

Visually inspect the thermostat for damage.

Heat the water with an electric heating element to operating temperature for 5 minutes.  
Suspend the thermostat in heated water to check its operation.



**NOTE:**

Do not let the thermostat or thermometer touch the pan, or you will get false reading.

Replace the thermostat if the valve stays open at room temperature, or if it responds at temperatures other than those specified.

**THERMOSTAT BEGIN TO OPEN:**

80 – 84 °C (176 – 183 °F)

**VALVE LIFT:**

8 mm (0.3 in) minimum at 95 °C (230 °F)