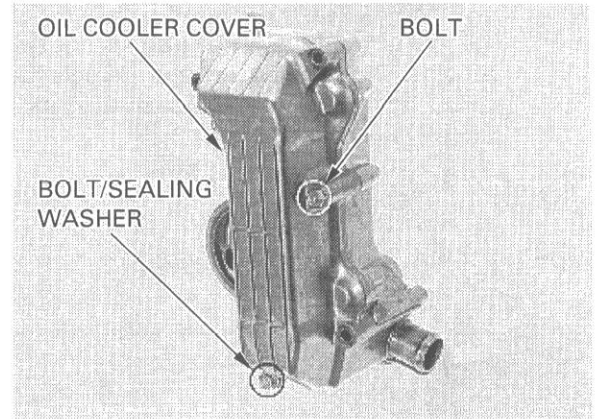
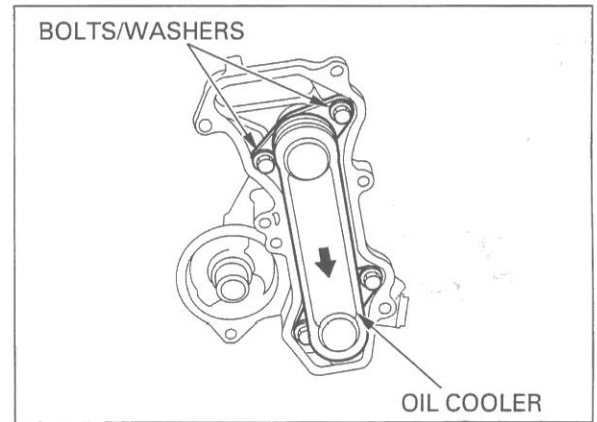


DISASSEMBLY

Remove the oil cooler cover bolts and sealing washer.
Remove the oil cooler cover and O-ring.



Remove the bolts, washers and oil cooler.
Remove the O-rings and joint collars from the oil cooler base.



ASSEMBLY

