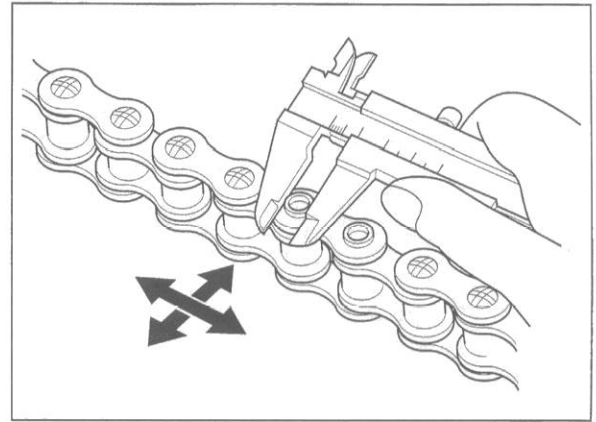


Make sure that the pins are staked properly by measuring the diameter of the staked area using a slide caliper.

**DIAMETER OF THE STAKED AREA:**

**DID:** 5.50–5.80 mm (0.217–0.228 in)

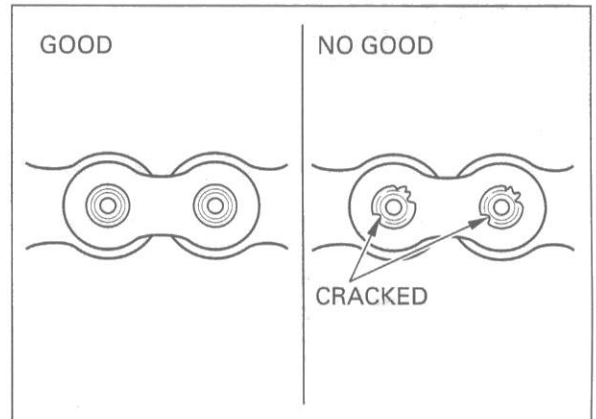
**RK:** 5.50–5.80 mm (0.217–0.228 in)



After staking, check the staked area of the master link for cracks. If there is any cracking, replace the master link, O-rings and plate.

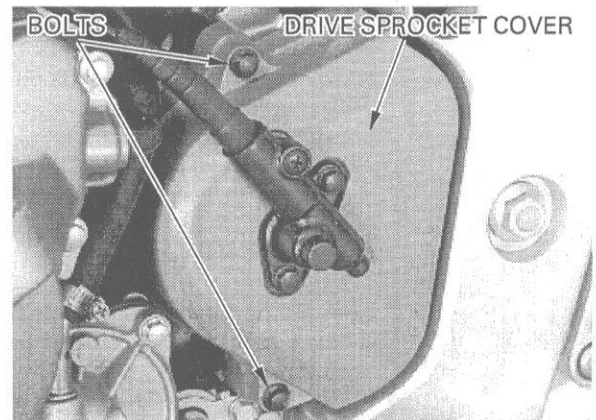
**CAUTION:**

*A drive chain with a clip-type master link must not be used.*



**DRIVE CHAIN GUIDE PLATE INSPECTION**

Remove the screw and speedometer cable. Remove the bolts, drive sprocket cover and drive chain guide plate.



Check the drive chain guide plate for wear or damage. If the drive chain guide plate is excessively wear or damage, replace it with a new one.

**CAUTION:**

*Avoid damaging the crankcase, periodically inspect the drive chain guide plate, replace if necessary.*

