

REAR FENDER

REMOVAL

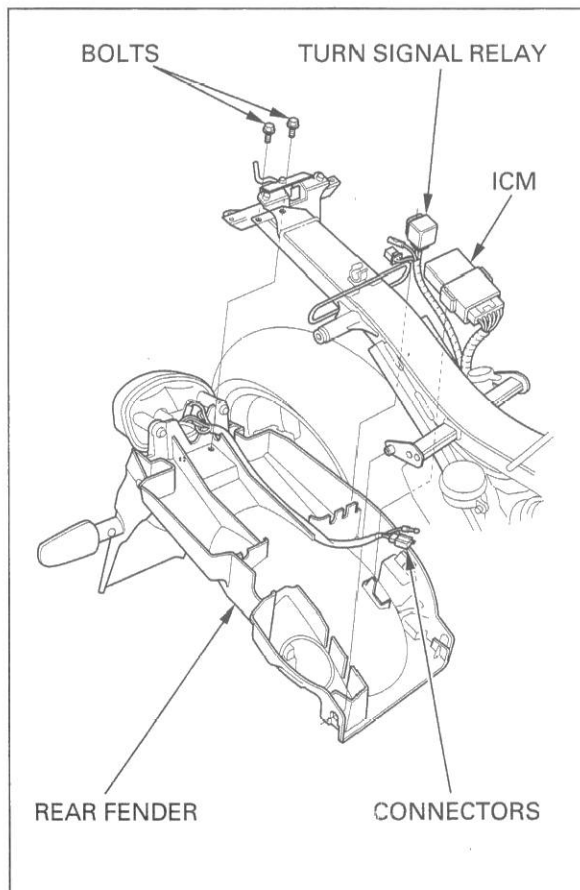
Remove the rear cowl (page 2-3).
Remove the muffler (see below).

Remove the turn signal relay and ICM (Ignition Control Module) from the rear fender.
Disconnect the brake/tail light connectors.

Remove the rear fender mounting bolts and rear fender from the frame.

INSTALLATION

Installation is in the reverse order of removal.



MUFFLER/EXHAUST PIPE

MUFFLER REMOVAL/INSTALLATION

▲WARNING

Do not service the exhaust system while it is hot.

Remove the rear cowl (page 2-3).

Loosen the exhaust pipe clamp bolt.
Remove the mounting bolt/nut and muffler.
Remove the muffler packing.

Remove the bolt, collar and muffler protector from the muffler.

Install the muffler in the reverse order of removal.

NOTE:

Always replace the muffler packing with a new one.

TORQUE:

Muffler mounting bolt/nut:

22 N·m (2.2 kgf·m , 16 lbf·ft)

Exhaust band bolt:

22 N·m (2.2 kgf·m , 16 lbf·ft)

