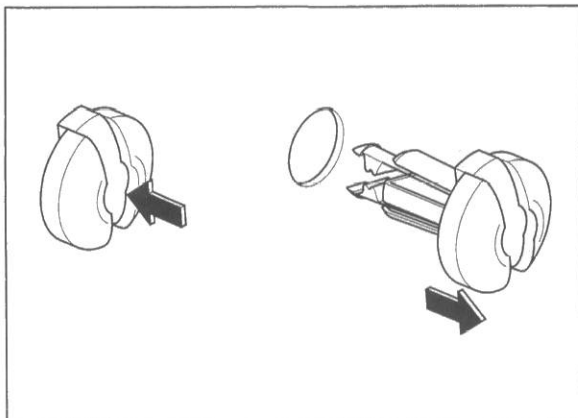


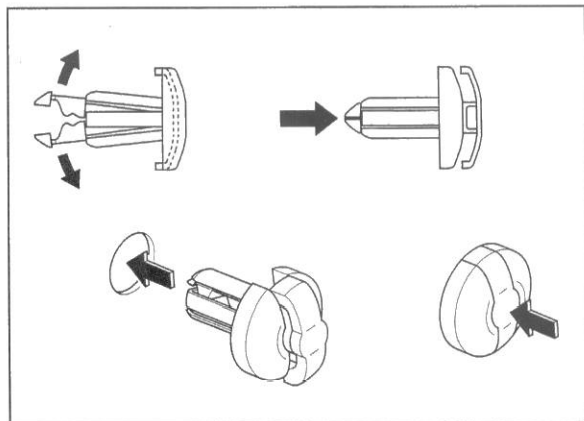
REAR COWL

TRIM CLIP REMOVAL/INSTALLATION

Remove the trim clip.



Raise the center pin by pushing the retaining tabs back.
Install the trim clip.
Push the center pin until the pin flush with the outer casing.



REMOVAL

Remove the seat and side covers (see previous page).

Remove the four caps from the grab rail.
Remove the four socket bolts and grab rail.

Remove the two trim clips.

Remove the two rubber plugs.
Remove the rear cowl mounting bolts.

Release the left side of the rear cowl from the frame, then remove the right side of the rear cowl between the muffler and frame.

INSTALLATION

Installation is in the reverse order of removal.

NOTE:

Always install the trim clips first.

TORQUE:

Grab rail mounting bolt:
26 N·m (2.7 kgf·m , 20 lbf·ft)

