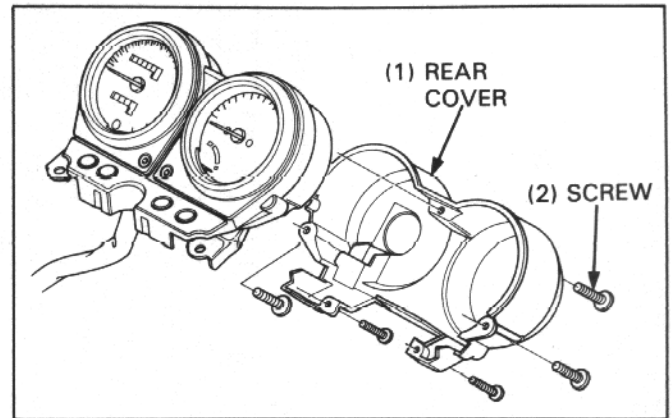


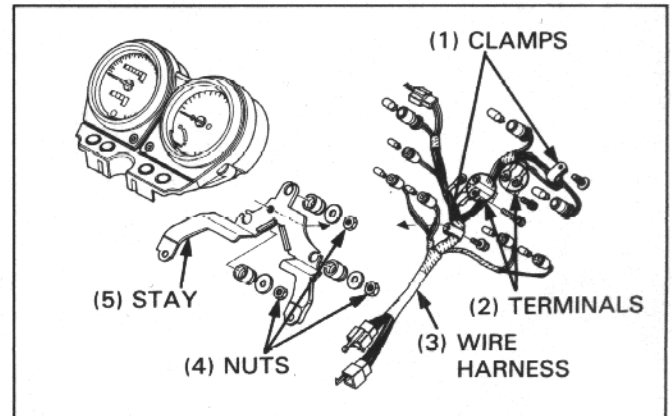
METER DISASSEMBLY/ASSEMBLY

Remove the five screws and the meter rear cover.

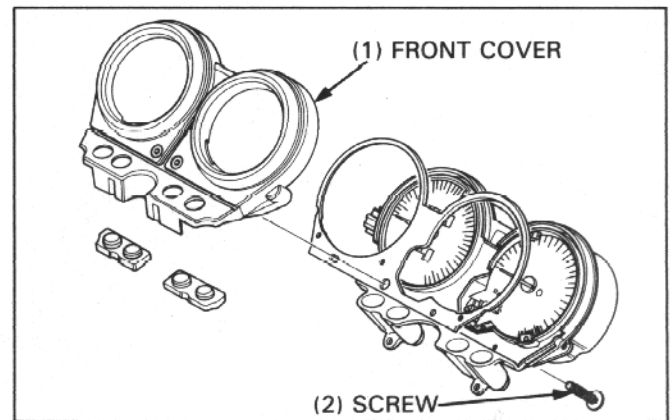


Pull all indicator bulbs out of the meter housing.
Remove the wire harness clamps, and remove the nuts, washers and meter stay.

Disconnect the meter terminals, and remove the wire harness.



Remove the screw and meter front cover.



Remove the following:

- two screws and tachometer.
- trip meter reset knob.
- four screws, speedometer gear joint and O-ring.
- speedometer.

Assemble the meter in the reverse order of disassembly.

NOTE

- Connect the proper color wire to the meter terminals.

Y/G: Yellow/Green G: Green
B/BR: Black/Brown G/B: Green/Black
G/L: Green/Blue

