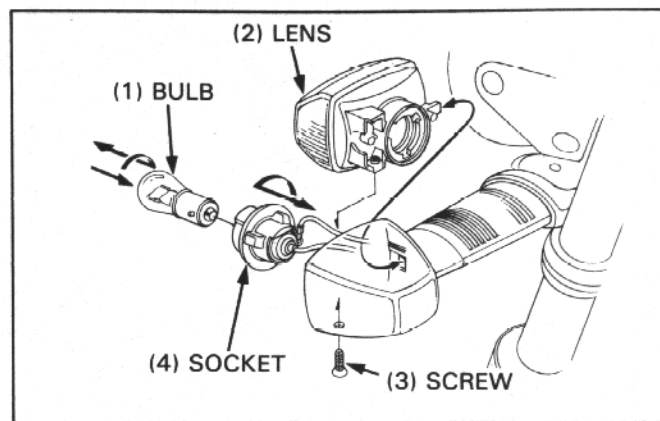


TURN SIGNAL LIGHT

BULB REPLACEMENT

Remove the screw and lens from the turn signal case. Turn the bulb socket counterclockwise and remove it. Turn the bulb counterclockwise and remove it.

Install a new bulb in the reverse order of removal.



TAILLIGHT

BULB REPLACEMENT

Remove the screws and lens from the taillight case. Turn the bulb counterclockwise and remove it.

Install a new bulb in the reverse order of removal.

