

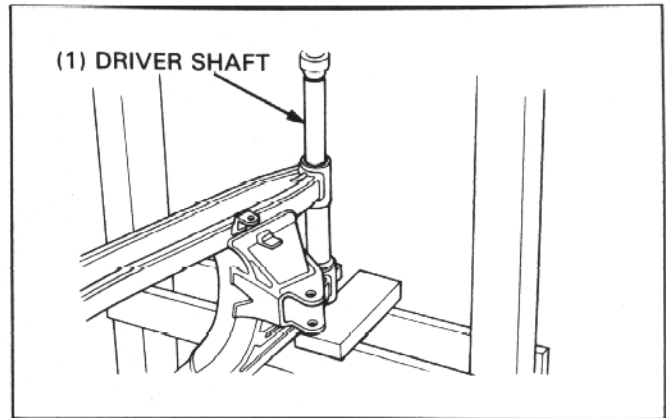
**SWINGARM PIVOT BEARING REPLACEMENT**

Press the right pivot bearings (ball bearings) out of the swingarm.

**S TOOL**

**DRIVER SHAFT** 07946-MJ00100 (Not available in U.S.A.)

or **DRIVER** 07949-3710001

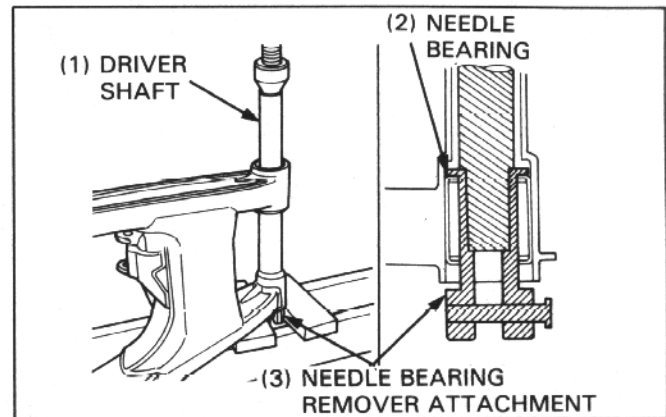


Set the needle bearing remover onto the left pivot bearing (needle bearing) as shown. Press the bearing out of the swingarm.

**S TOOL**

**NEEDLE BEARING REMOVER ATTACHMENT** 07GMD-KT70200 (Not available in U.S.A.)

**DRIVER SHAFT** 07946-MJ00100  
or **BUSHING REMOVER DRIVER** M967X-038-XXXXX 07949-3710001



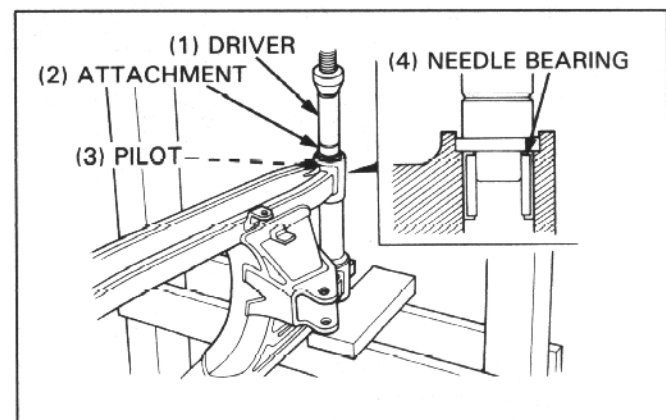
Press the needle bearing into the swingarm with the marked side facing out.

**NOTE**

- The bearing surface should flush with the pivot inside surface as shown.

**S TOOL**

**DRIVER** 07749-0010000  
**ATTACHMENT, 28 x 30 mm** 07946-1870100  
**PILOT, 22 mm** 07746-0041000



Press one ball bearing (inner bearing) into the swingarm first, then press in another on top of it (outer bearing).

**S TOOL**

**DRIVER** 07749-0010000  
**ATTACHMENT, 32 x 35 mm** 07746-0010100  
**PILOT, 15 mm** 07746-0040300

