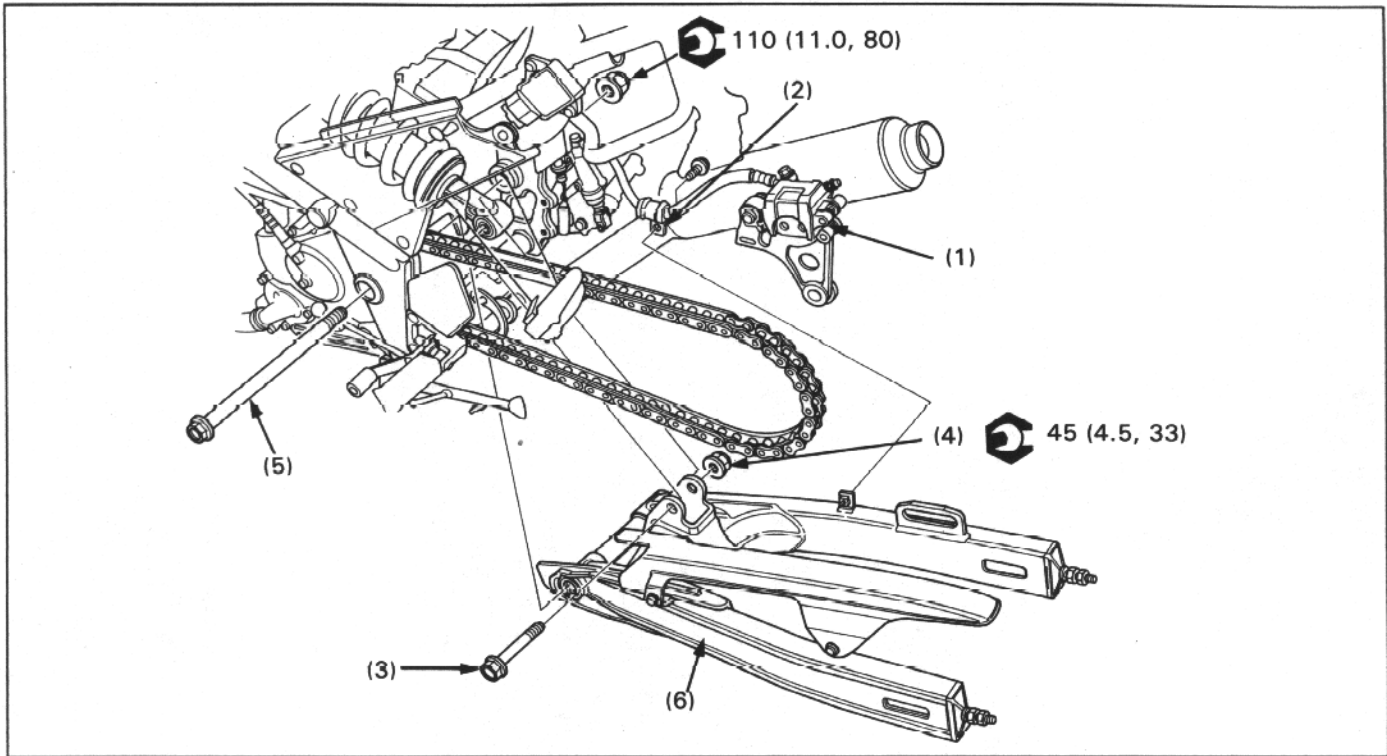


SWINGARM REMOVAL/INSTALLATION



NÓTE

- Put the motorcycle on its center stand.
- Do not depress the brake pedal when the caliper is removed, or it will be difficult to refit the disc between the brake pads.
- Support the removed caliper with a piece of wire so that it does not hang from the brake hose. Do not twist the brake hose.
- If necessary, loosen the rear engine mounting nut near the swingarm pivot to ease the swingarm removal/installation.

REQUISITE SERVICE

- Rear wheel removal/installation (page 12-2)

PROCEDURE		Q'ty	REMARKS
REMOVAL ORDER			• Installation is in the reverse order of removal.
(1)	Rear brake caliper	1	
(2)	Brake hose clamp	1	
(3)	Shock absorber lower mounting bolt	1	
(4)	Swingarm pivot nut	1	
(5)	Swingarm pivot shaft	1	
(6)	Swingarm assembly	1	