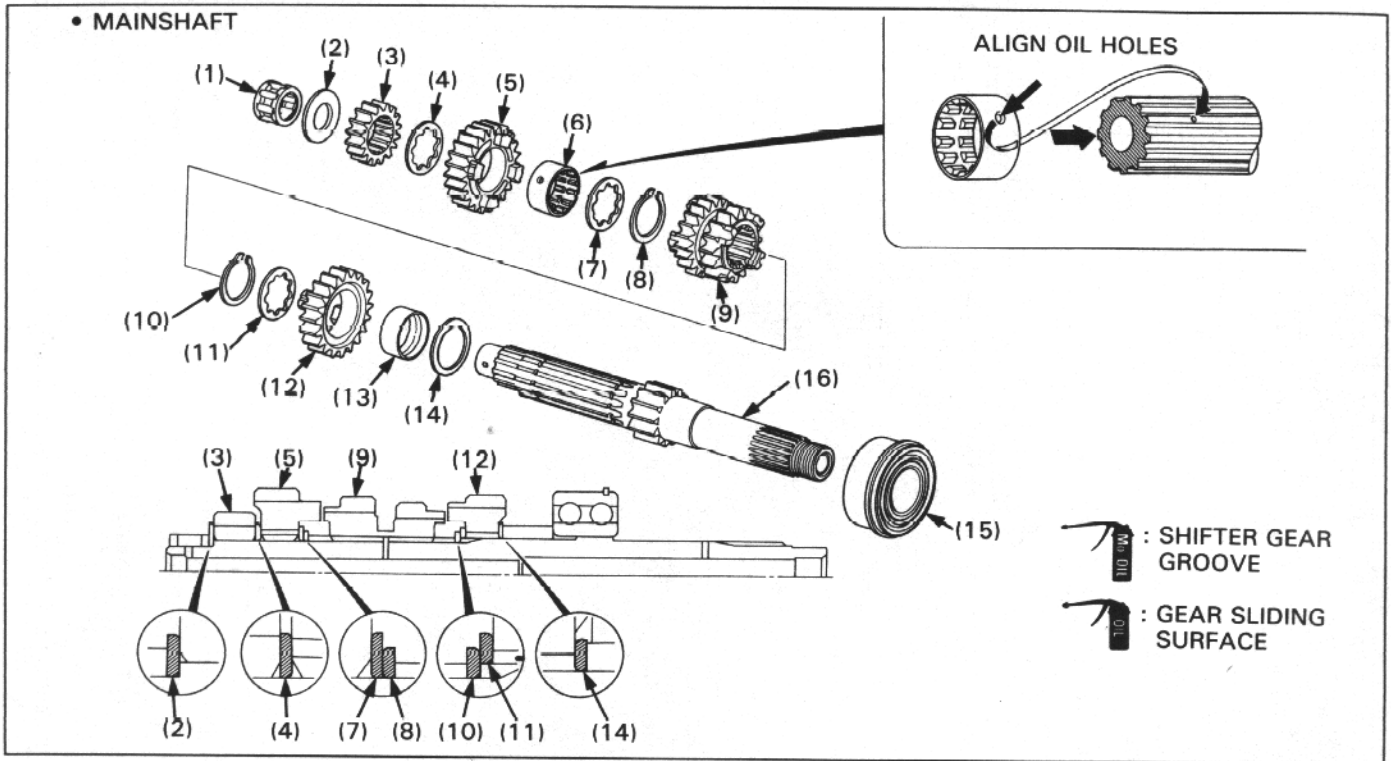


TRANSMISSION DISASSEMBLY/ASSEMBLY



NOTE

- Apply molybdenum solution to the shifter gear grooves. Apply oil to all sliding surface of the mainshaft, countershaft and bushings.
- Install the thrust washers and snap rings with the chamfered edge facing to the thrust load side.
- Refer to section 13 of the Common Service Manual for inspection information.

REQUISITE SERVICE

- Transmission removal/installation (page 10-8)

PROCEDURE	Q'ty	REMARKS
<b>MAINSHAFT DISASSEMBLY ORDER</b>		• Assembly is in the reverse order of disassembly.
(1) Needle bearing	1	
(2) Thrust washer	1	
(3) M2 gear (17T)	1	
(4) Spline washer	1	
(5) M6 gear (24T)	1	
(6) M6 spline bushing	1	Align the oil holes of the bushing and mainshaft.
(7) Spline washer	1	
(8) Snap ring	1	
(9) M3 (16T)/M4 (22T) shifter gear	1	
(10) Snap ring	1	
(11) Spline washer	1	
(12) M5 gear (23T)	1	
(13) M5 bushing	1	
(14) Thrust washer	1	
(15) Mainshaft bearing	1	Install it with the bearing stopper near the outside.
(16) Mainshaft (M1 gear/13T)	1	