

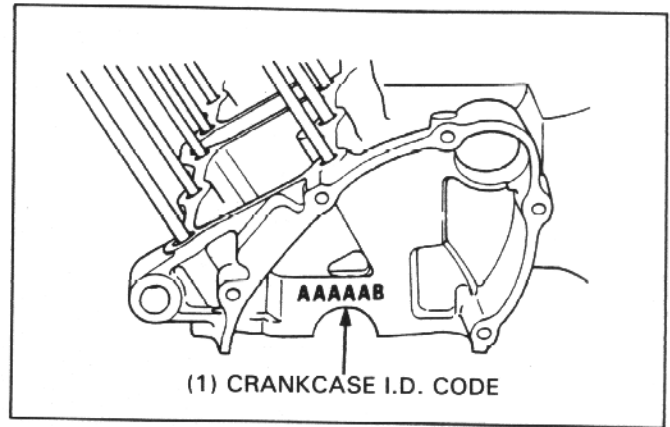
CRANKSHAFT BEARING REPLACEMENT

MAIN JOURNAL BEARING SELECTION

Record the crankcase I.D. code letters from the pad on the left side of the crankcase.

NOTE

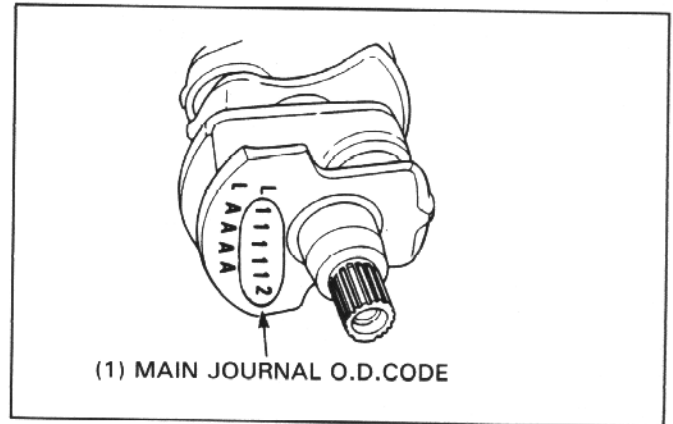
- Letters (A, B or C) on the upper crankcase are the codes for the main journal I.D.s from the left.



Record the corresponding main journal O.D. code numbers from the crank weight.

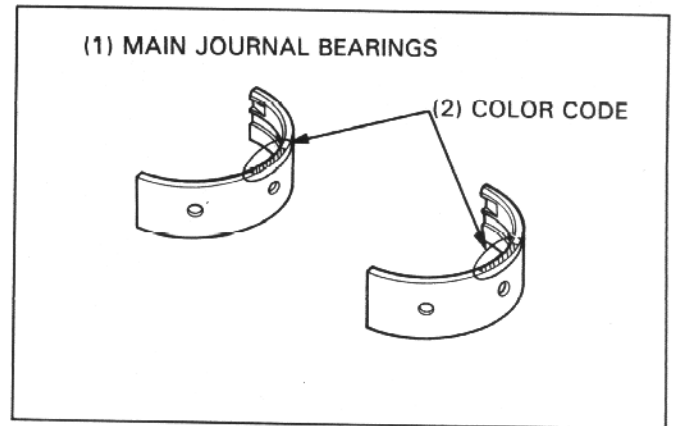
NOTE

- Numbers (1 or 2) on the crank weight are the codes for the main journal O.D.s from the left.



Cross reference the case and journal codes to determine the replacement bearing color code.

Crankcase I.D. code \ Main journal O.D. code		A	B	C
		33.000–33.008 mm (1.2992–1.2995 in)	33.009–33.016 mm (1.2996–1.2998 in)	33.017–33.024 mm (1.2999–1.3002 in)
1	29.992–30.000 mm (1.1808–1.1811 in)	Pink	Yellow	Green
2	29.984–29.992 mm (1.1805–1.1808 in)	Yellow	Green	Brown



Bearing thickness

Brown: Thick
 Green: ↑
 Yellow: ↓
 Pink: Thin