

## CLUTCH/GEARSHIFT LINKAGE

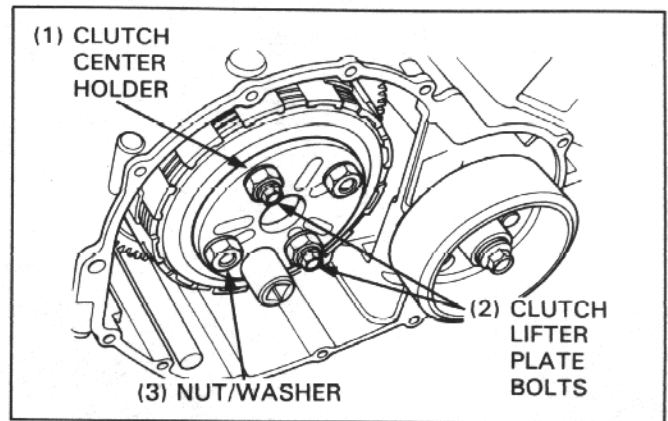
### CLUTCH CENTER LOCK NUT INSTALLATION

If you have the universal type of the clutch center holder, you will be able to use it.

Position the tools as shown and use at least two clutch lifter plate bolts to secure the tool to the clutch.

**S TOOL**

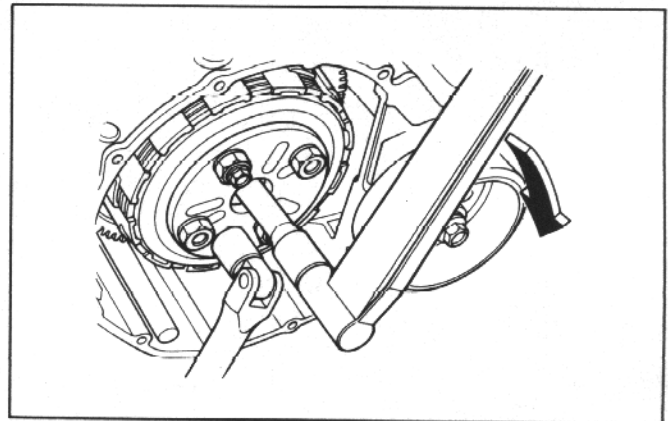
**CLUTCH CENTER HOLDER**      **07HGB-001000A**  
(U.S.A. only)



Hold the clutch center holder and torque the clutch center lock nut as shown.

**TORQUE: 85 N·m (8.5 kg-m, 61 ft-lb)**

Stake the lock nut onto the mainshaft.



If you do not have the above holder, use the below holder. Hold the clutch center as shown and torque the clutch center lock nut.

**S TOOL**

**CLUTCH CENTER HOLDER**      **07GMB-KT80100**  
(Not available in U.S.A.)

**TORQUE: 85 N·m (8.5 kg-m, 61 ft-lb)**

Stake the lock nut onto the mainshaft.

