

CLUTCH CENTER LOCK NUT REMOVAL

If you have the universal type of the clutch center holder, you will be able to use it.

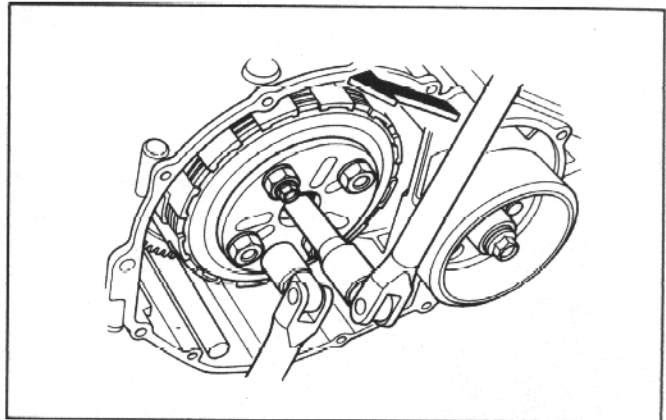
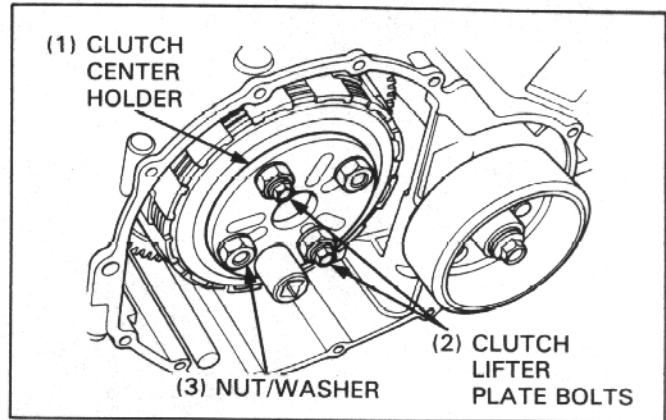
Unstake the nut.

Set the clutch center holder to the pressure plate bosses and loosely install the nuts.

CLUTCH CENTER HOLDER **07HGB-001000A**
(U.S.A. only)

Temporarily remove the tool and tighten nuts; then reinstall the clutch center holder onto the bosses. Use at least two clutch lifter plate bolts to secure the tool to the clutch.

Hold the clutch center holder and remove the lock nut as shown.



If you do not have the above holder, use the below holder. Unstake the nut. Remove the clutch center lock nut as shown.

CLUTCH CENTER HOLDER **07GMB-KT80100**
(Not available in U.S.A.)

