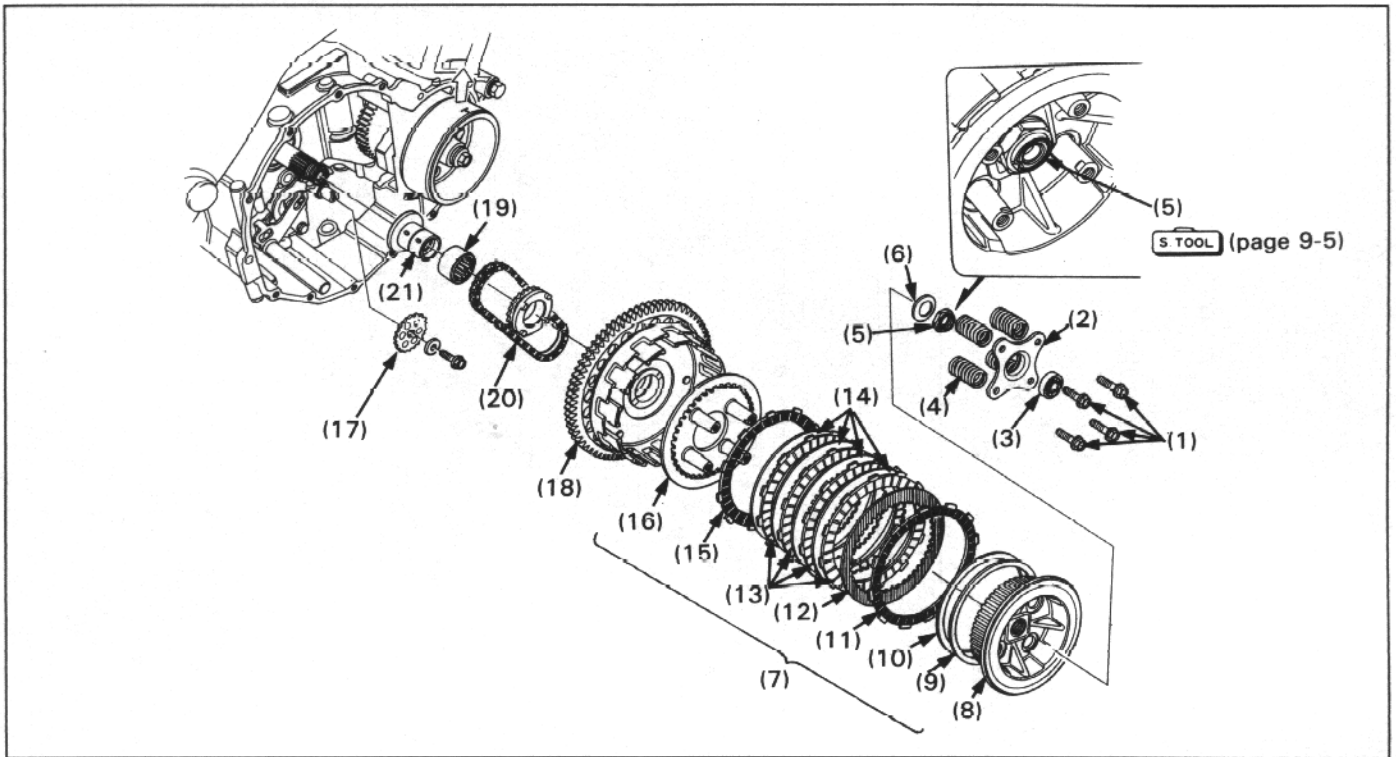


CLUTCH REMOVAL



REQUISITE SERVICE

- Right crankcase cover removal (page 9-2)

PROCEDURE		Q'ty	REMARKS	
(1)	Clutch lifter plate bolt	4	Remove them in a gradual, crisscross pattern.	
(2)	Clutch lifter plate	1		
(3)	Clutch lifter plate bearing	1		
(4)	Clutch spring	4		
(5)	Clutch center lock nut	1		Removal (page 9-5)
(6)	Lock washer	1		
(7)	Clutch assembly	—	Refer to page 1-10 for specification.	
(8)	— clutch center	1	Larger I.D. disc/Color: black Color: gray Smaller I.D. disc Color: silver Smaller I.D. disc/Color: black Refer to section 11 of the Common Service Manual for inspection information.	
(9)	— spring seat	1		
(10)	— judder spring	1		
(11)	— clutch friction disc C	1		
(12)	— clutch plate B	1		
(13)	— clutch friction disc B	4		
(14)	— clutch plate A	4		
(15)	— clutch friction disc A	1		
(16)	— pressure plate	1		
(17)	Oil pump driven sprocket	1		Removal (page 4-3)
(18)	Clutch outer	1		NOTE: • Turn the crankshaft clockwise and face the flywheel "T" mark up so as not to interfere the primary driven gear with the crank weight. • Do not still remove the needle bearing and outer guide.
(19)	Needle bearing	1		
(20)	Oil pump drive sprocket/drive chain	1/1		
(21)	Clutch outer guide	1		