

CAMSHAFT IDLE GEAR CASE INSTALLATION

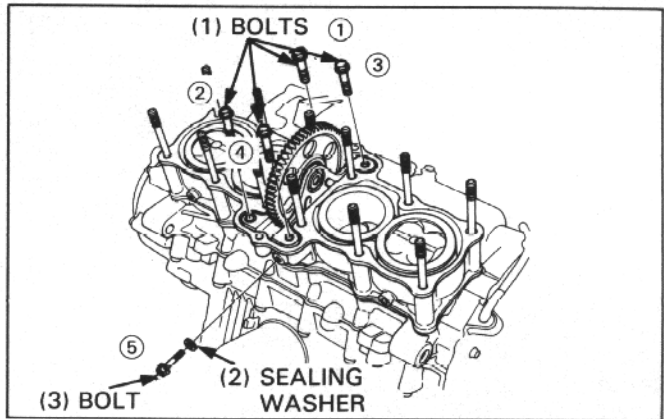
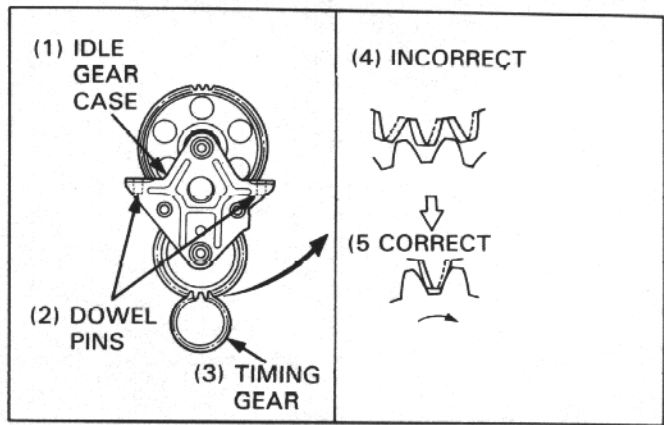
Install the camshaft idle gear case dowel pins properly.

NOTE

- Without the dowel pins installed properly, the camshaft idle gear may not be able to be installed onto the crankshaft timing gear.

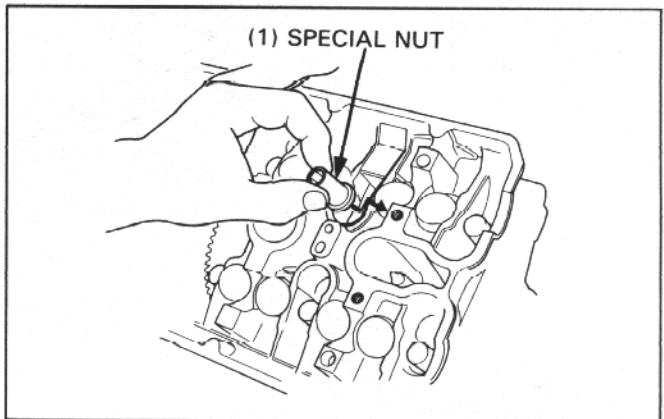
Install the camshaft idle gear case onto the cylinder. While moving the idle gear lightly with the gear case held, the gear case should be lifted up slightly from the cylinder.

Install a new sealing washer and mounting bolts. Tighten bolts in a gradual, as shown.



CYLINDER HEAD NUT/BOLT INSTALLATION

Install the cylinder head special nuts as shown. Do not tighten them yet.



Install the cylinder head mounting bolts. Tighten the special nuts and mounting bolts in a gradual, crisscross pattern.

TORQUE:

- Special nut: 30 N·m (3.0 kg-m, 22 ft-lb)
- Mounting bolt: 12 N·m (1.2 kg-m, 9 ft-lb)

