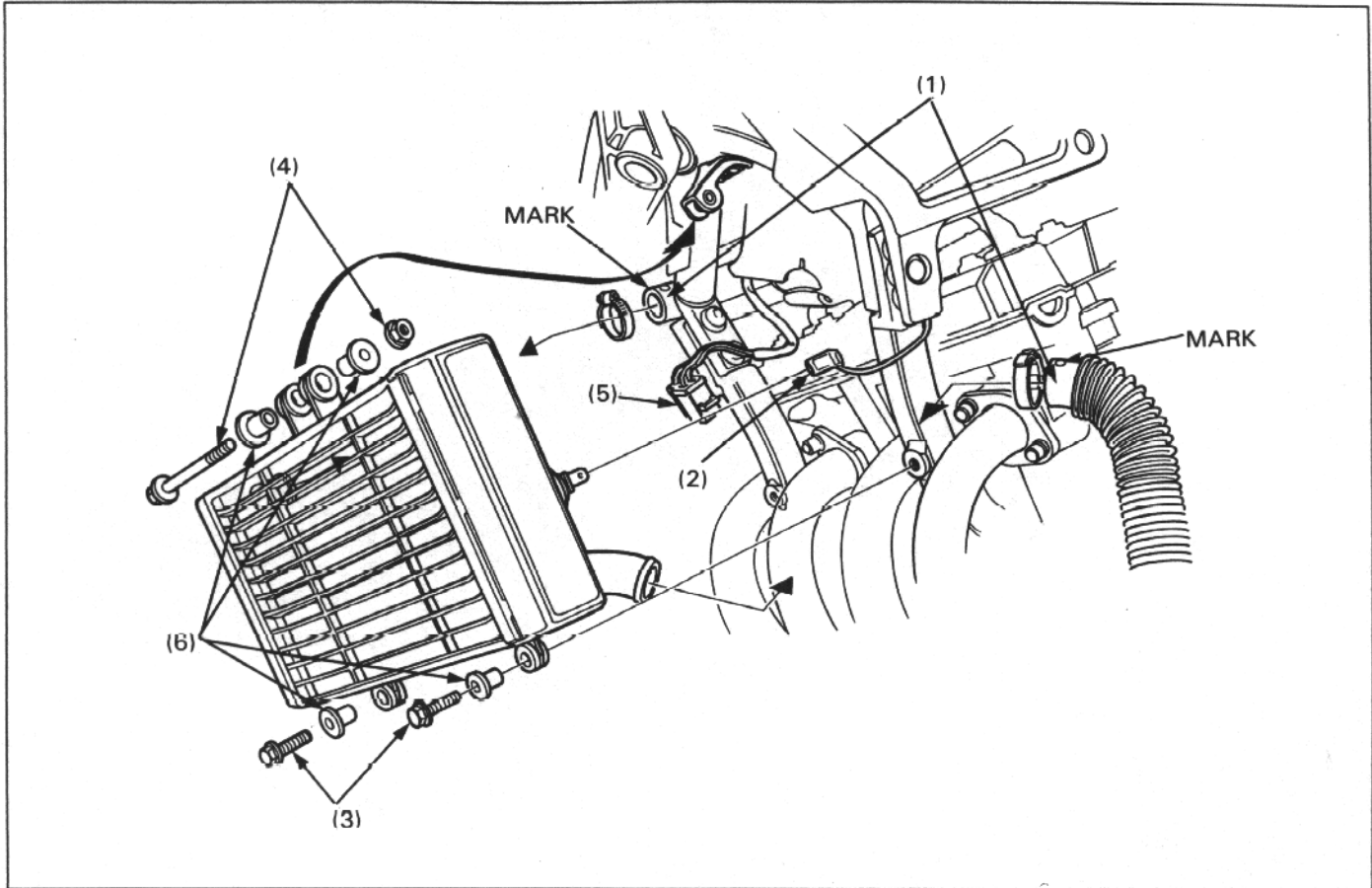


RADIATOR REMOVAL/INSTALLATION



REQUISITE SERVICE

- Coolant draining (page 5-3)
- Coolant refill (section 5 of the Common Service Manual)

PROCEDURE		Q'ty	REMARKS
REMOVAL ORDER			• Installation is in the reverse order of removal. Install them with "O" marks facing up.
(1)	Radiator hose	2	
(2)	Fan motor switch connector	1	
(3)	Radiator lower mounting bolt	2	
(4)	Radiator upper mounting bolt/nut	1/1	
(5)	Fan motor connector	1	
(6)	Collar	4	