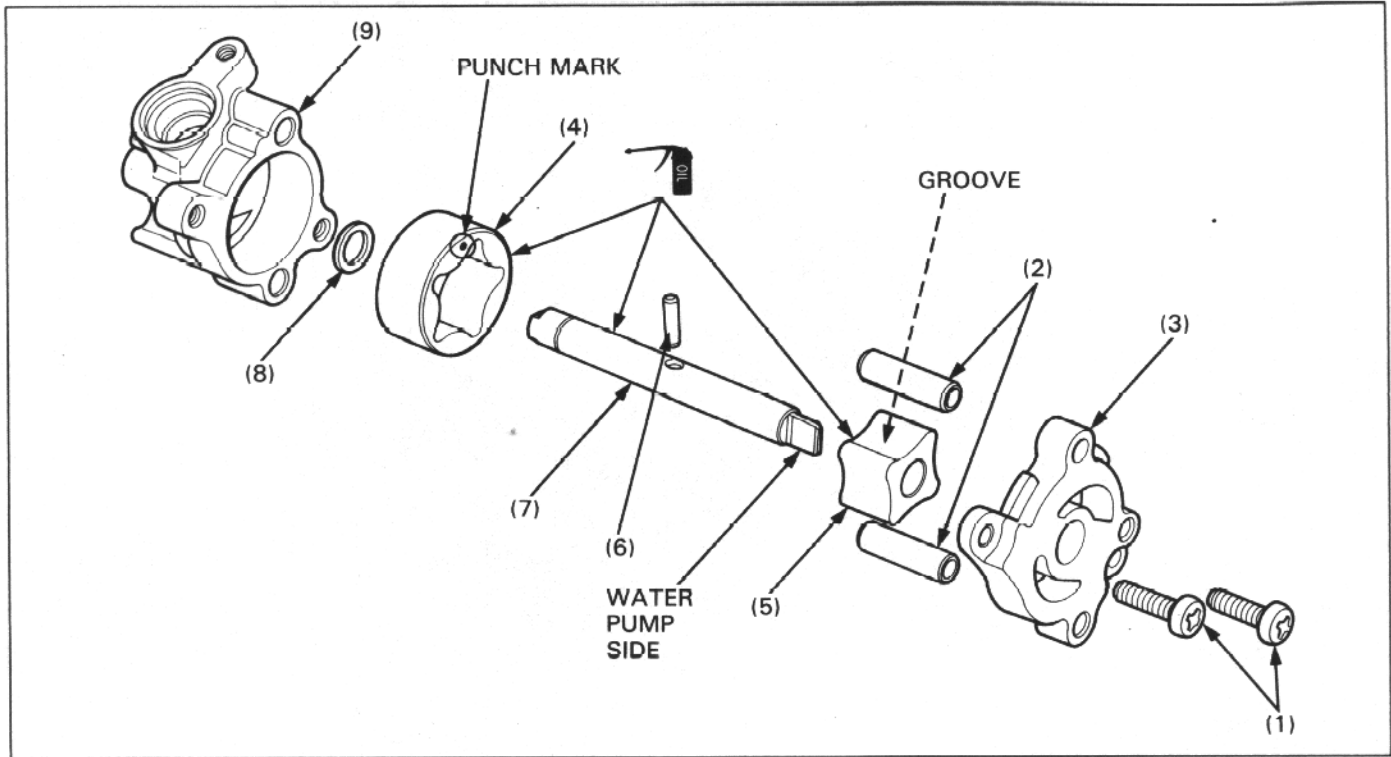


OIL PUMP DISASSEMBLY/ASSEMBLY



NOTE

- Before installing them, clean all removed parts thoroughly with clean engine oil.
- Refer to section 4 of the Common Service Manual for inspection information.
- Refer to page 1-6 for specification.

REQUISITE SERVICE

- Oil pump removal/installation (page 4-3)

	PROCEDURE	Q'ty	REMARKS
	DISASSEMBLY ORDER		
(1)	Oil pump cover attaching screw	2	• Assembly is in the reverse order of disassembly. NOTE: • Install the dowel pins, then tighten the screws.
(2)	Dowel pin	2	
(3)	Oil pump cover	1	
(4)	Outer rotor	1	Install with its punch mark facing the cover.
(5)	Inner rotor	1	Install the rotor, aligning its groove with the drive pin.
(6)	Drive pin	1	
(7)	Pump shaft	1	Install with the tab side facing the cover (water pump side).
(8)	Washer	1	
(9)	Oil pump body	1	