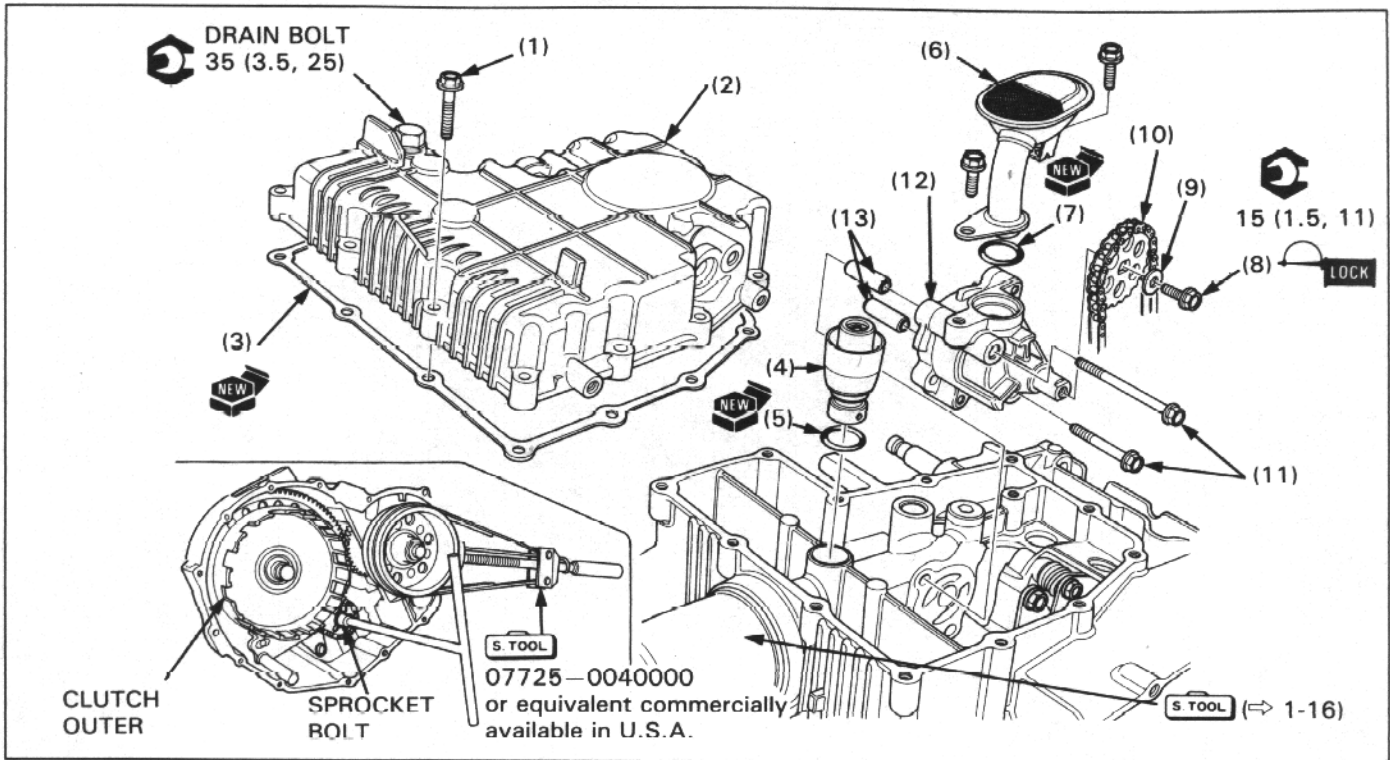


OIL PUMP REMOVAL/INSTALLATION



REQUISITE SERVICE

- Engine oil draining (location: page 3-3, step: section 2 of the Common Service Manual)
- Exhaust system removal/installation (page 2-3)
- Clutch disassembly (page 9-4)/assembly (page 9-8)

PROCEDURE	Q'ty	REMARKS
REMOVAL ORDER		
(1) Oil pan bolt	12	• Installation is in the reverse order of removal. At installation, tighten the bolts in a gradual, crisscross pattern.
(2) Oil pan	1	
(3) Gasket	1	
(4) Relief valve	1	
(5) O-ring	1	
(6) Oil strainer	1	Clean with the non-flammable solvent.
(7) O-ring	1	
(8) Oil pump driven sprocket bolt	1	NOTE: • Install the clutch outer onto the mainshaft temporarily (page 9-8), hold the flywheel with the rotor holder and remove (or torque) the bolt. • Apply a locking agent to the tip of the threads (approx. 6 mm/0.2 in)
(9) Washer	1	
(10) Oil pump driven sprocket	1	At installation, install with the grooves facing inside.
(11) Oil pump mounting bolt	2	
(12) Oil pump	1	
(13) Dowel pin	2	