

AIR CLEANER

Remove the following:

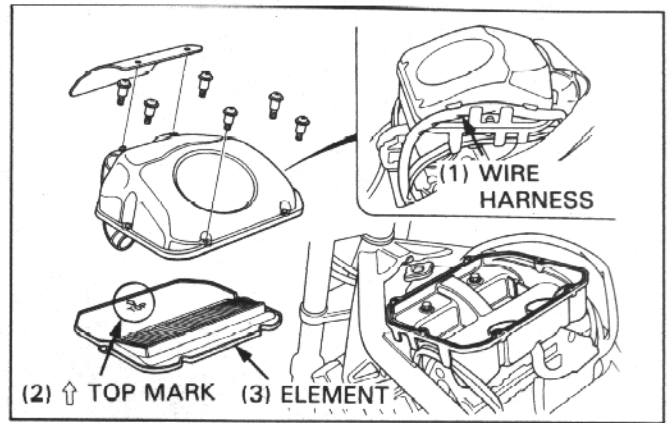
- fuel tank (page 2-4).
- air cleaner case cover (page 6-3).

Discard the air cleaner element in accordance with the maintenance schedule.

Also, replace the element any time it is excessively dirty or damaged.

Install the air cleaner element with the ↑ mark forward and the TOP mark facing up.

Install the wire harness into the wire harness clamp on the cover securely.



SPARK PLUG

NOTE

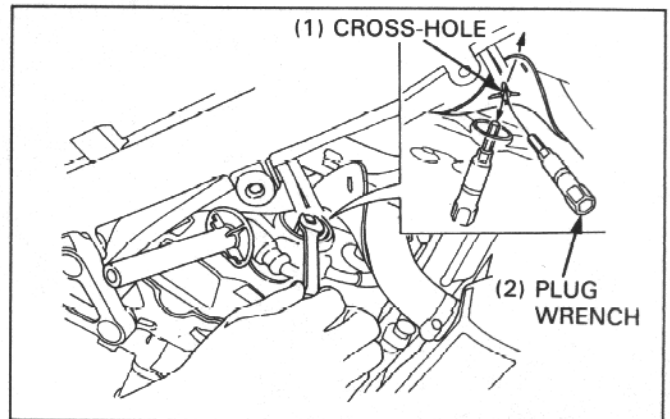
- For detailed instructions, refer to section 2 of the Common Service Manual. Instruction for removal/installation of only the No. 2 and No. 3 spark plugs is given here. No. 1 and No. 2 plug can be removed easily only to remove the front side cover.

Remove the front side covers (page 2-3).

The spark plug wrench is included in the tool kit.

Insert the plug wrench between the heat guard plate and cylinder head cover as shown, and set the wrench onto the spark plug.

Turn the plug wrench and remove the spark plug.



Then lift up the wrench with the plug, through the heat guard cross-hole.

Pull the wrench out of the cylinder head.

Remove the spark plug from the wrench.

Install a new spark plug into the cylinder in the reverse order of removal.

Tighten the spark plug 1/2 turn with an open end wrench to compress the plug sealing washer.

VALVE CLEARANCE

INSPECTION

NOTE

- Inspect and adjust valve clearance while the engine is cold (Below 35°C/95°F).

Remove the following:

- timing hole cap (page 9-2).
- crankshaft hole cap cover (page 9-2).
- crankshaft hole cap (page 9-2).
- air cleaner case (page 6-3).

