

SIDE COVER REMOVAL/ INSTALLATION

FRONT SIDE COVER

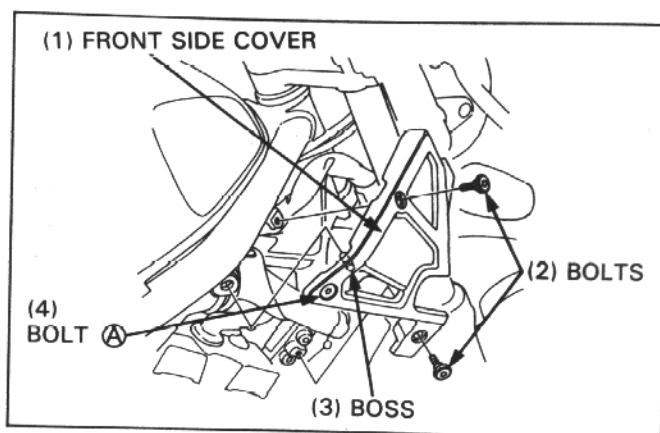
Remove the bolts.

Release the boss from the frame grommet and remove the front side cover.

Install the side cover in the reverse order of removal.

NOTE

- It is not necessary to remove the bolt **A** as shown.



REAR SIDE COVER

Remove the following:
seat (page 2-2).

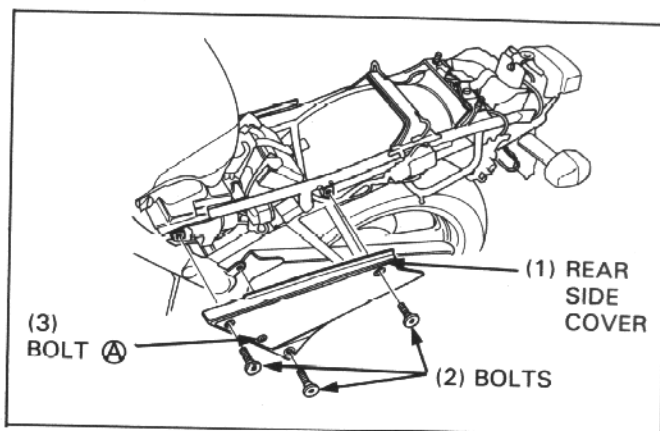
Release the rear fairing front bosses from the grommets (page 2-2).

Remove the bolts and rear side cover.

Install the side cover in the reverse order of removal.

NOTE

- It is not necessary to remove the bolt **A** as shown.



EXHAUST SYSTEM REMOVAL/ INSTALLATION

Remove the radiator lower mounting bolts and loosen the upper mounting bolt/nut (page 5-5). Swing the radiator forward.

Remove the following:

- exhaust pipe joint nuts,
- muffler mounting bolts and exhaust pipe/muffler.
- gaskets.

NOTE

- Replace the exhaust pipe gaskets if the exhaust system is removed.

Install new gaskets and exhaust pipe/muffler.
Tighten the exhaust pipe joint nuts first.

TORQUE: 12 N·m (1.2 kg·m, 9 ft·lb)

Then tighten the muffler mounting bolts.

TORQUE: 22 N·m (2.2 kg·m, 16 ft·lb)

