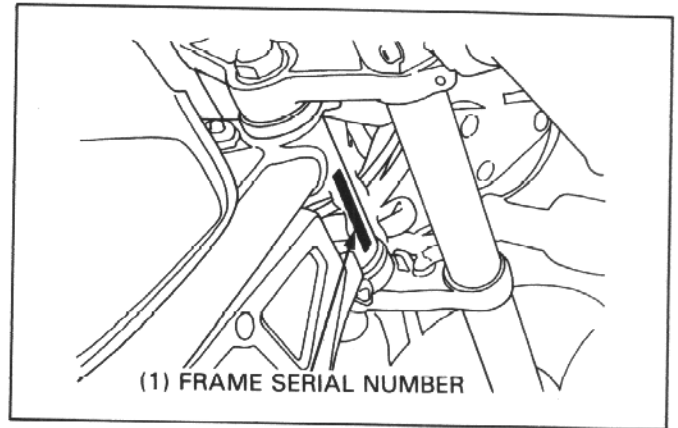
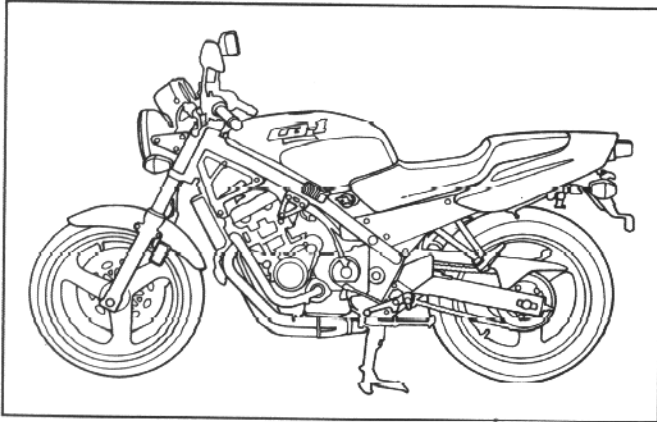
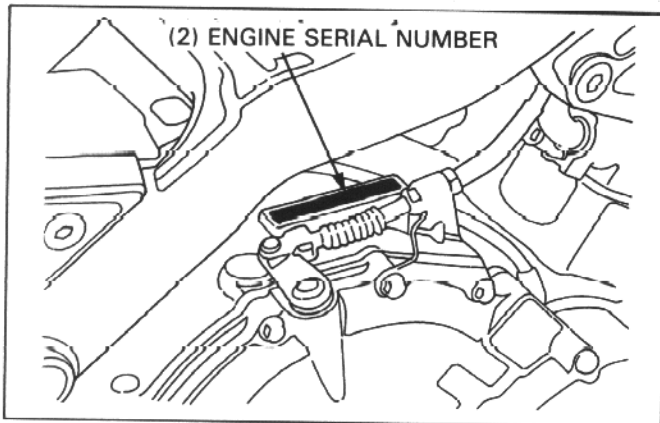


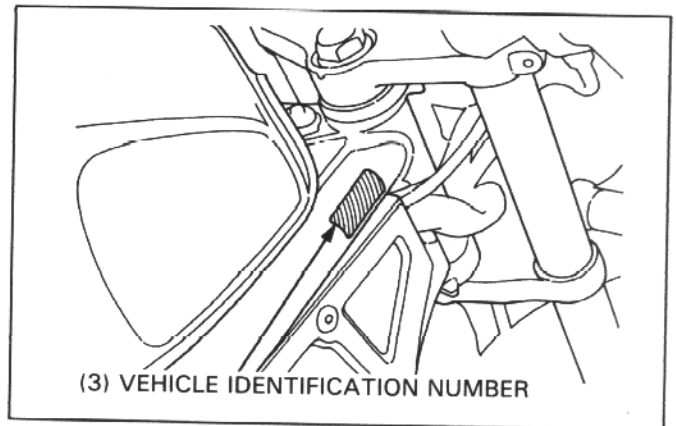
MODEL IDENTIFICATION



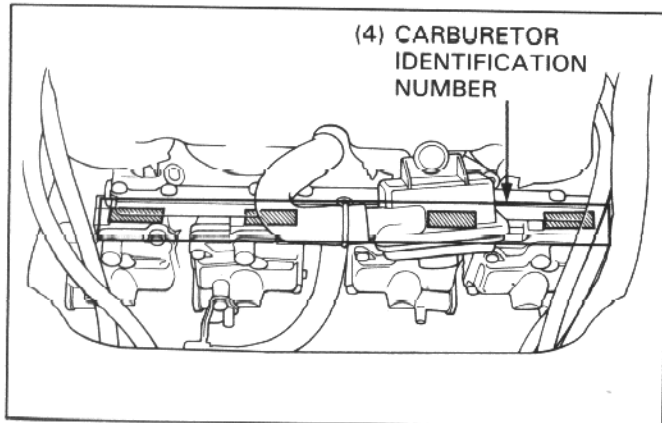
The frame serial number is stamped on the right side of the steering head.



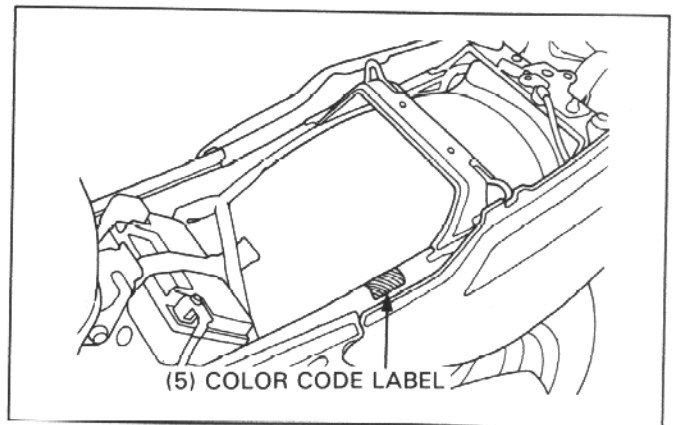
The engine serial number is stamped on the right side of the crankcase.



The Vehicle Identification Number (VIN) is located on the safety certification label on the right side of the frame tube.



The carburetor identification number is on the rear side of each carburetor.



The color code label is attached on the left frame tube under the seat. When ordering a color coded part, always specify its designated color code.