

4. Install the front forks so that they are identical in height.

CAUTION:

Remove oil, if any, from around the fork pipes.

5. After assembling, check:
The forks for smooth movement.
Oil leakage from the oil seals.

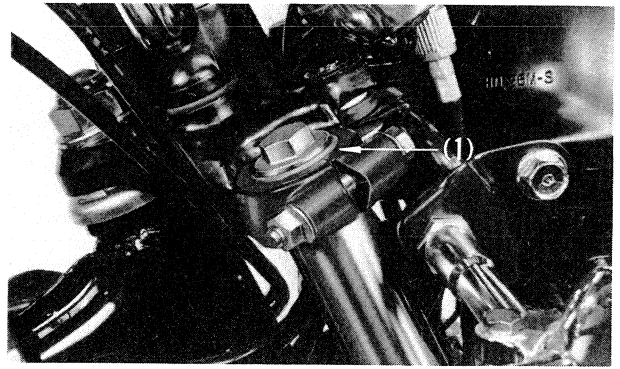
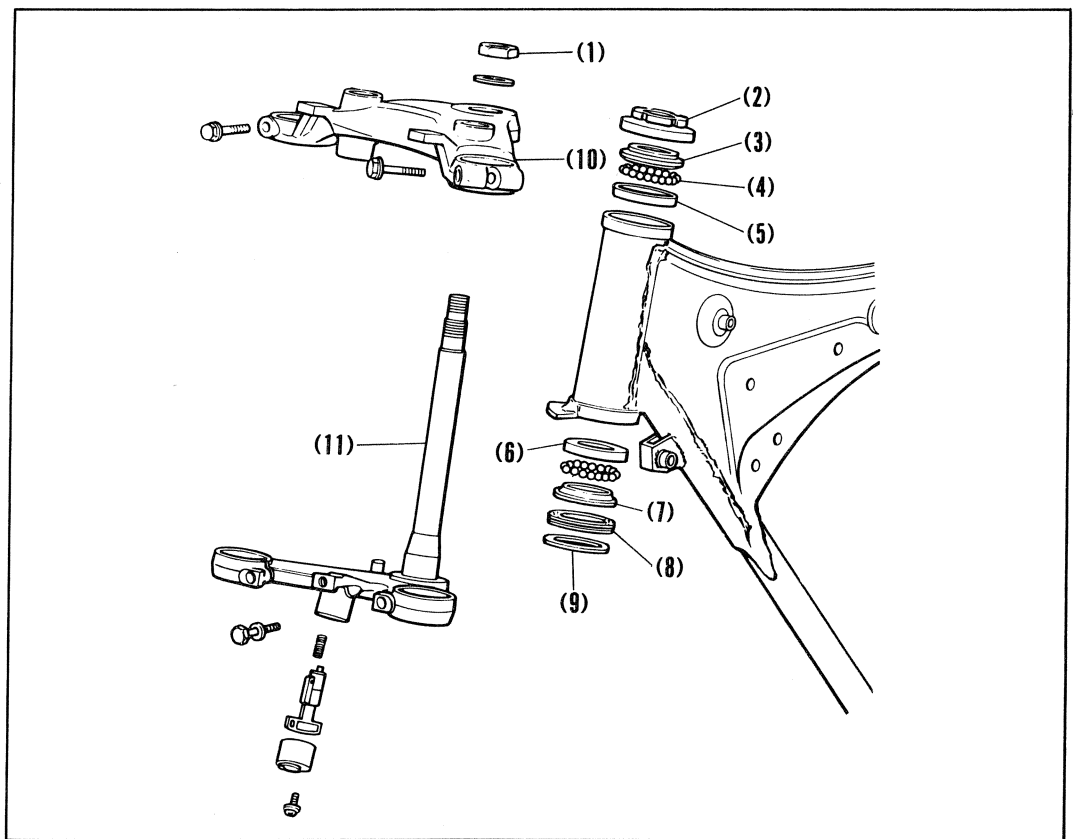


Fig. 5-62 Front forks should be identical in height

6. STEERING STEM

Fig. 5-63

- (1) Steering stem nut
- (2) Steering head top thread
- (3) Steering top cone race
- (4) #8 steel ball
- (5) Steering top ball race
- (6) Steering bottom ball race
- (7) Steering bottom cone race
- (8) Dust seal
- (9) Dust seal washer
- (10) Fork top bridge
- (11) Steering stem



Disassembly

1. Open the headlight case and disconnect the wires inside the case.
2. Disconnect the speedometer and tachometer cables from the meters.
3. Remove the front emblem and remove the three bolts (1). Then the headlight case with the stay and turn signals and the meters with the meter set plate can be removed.

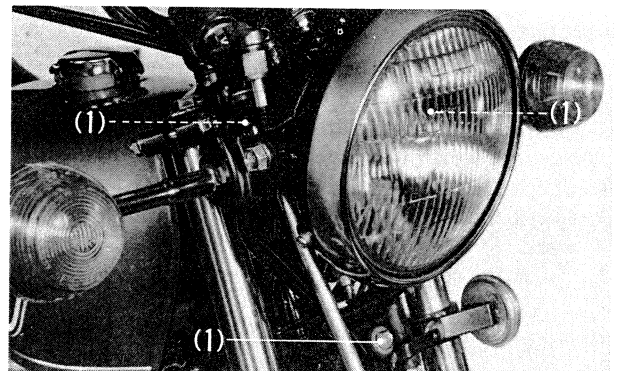


Fig. 5-64 (1) Bolts