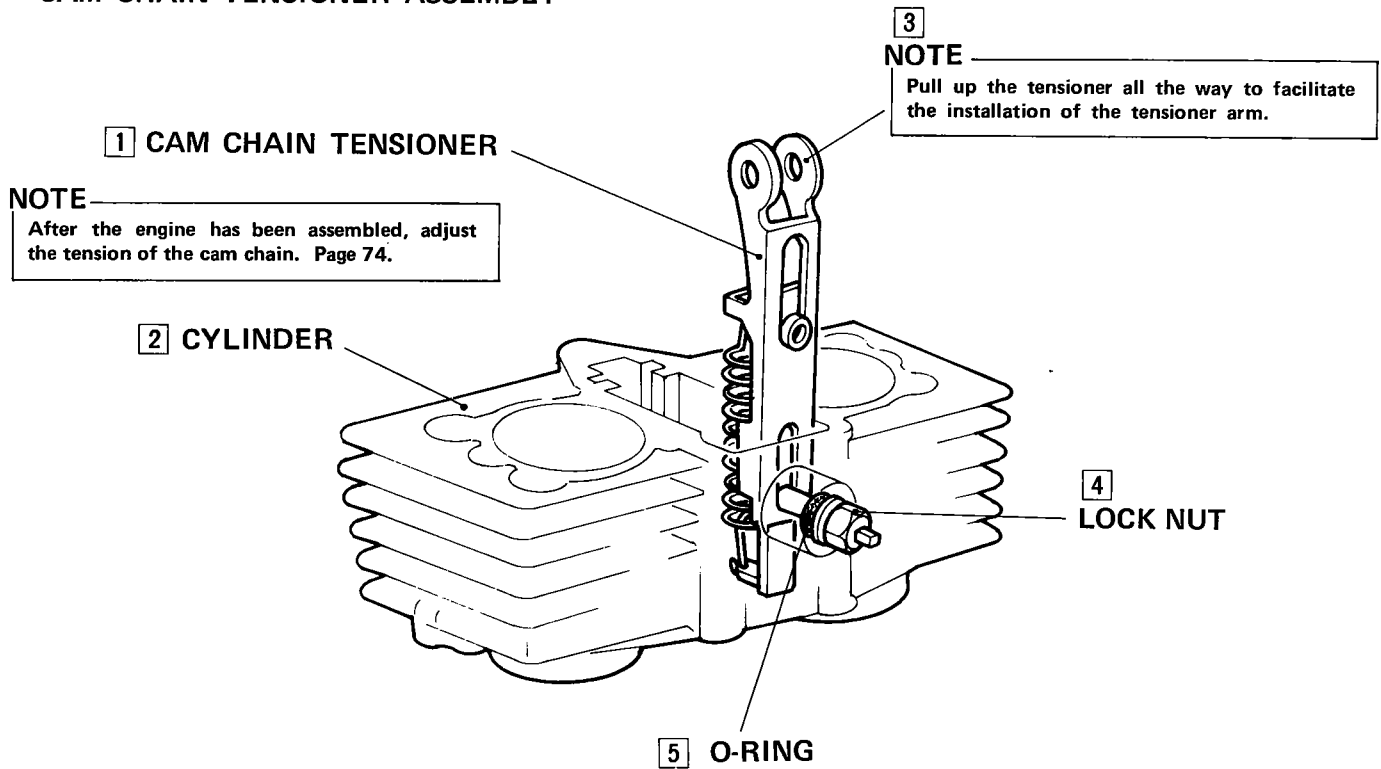
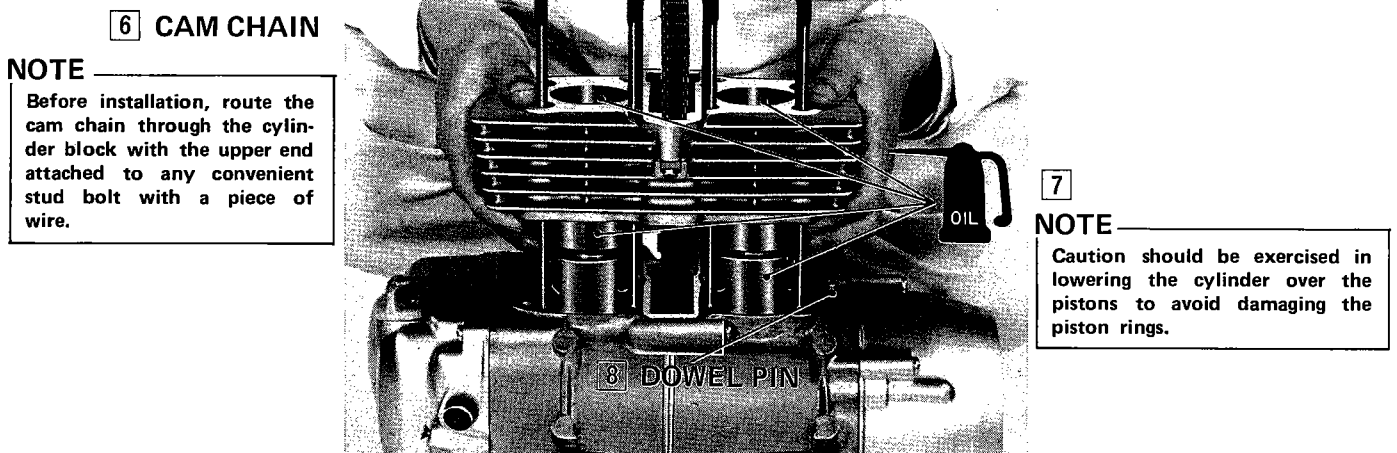


• CAM CHAIN TENSIONER ASSEMBLY



• CYLINDER ASSEMBLY



- 9** • With the pistons at the same level, lower the cylinder over the pistons while holding the piston rings into place with your fingers.