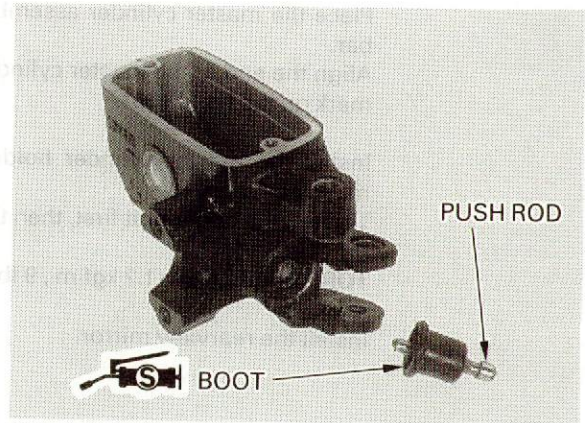
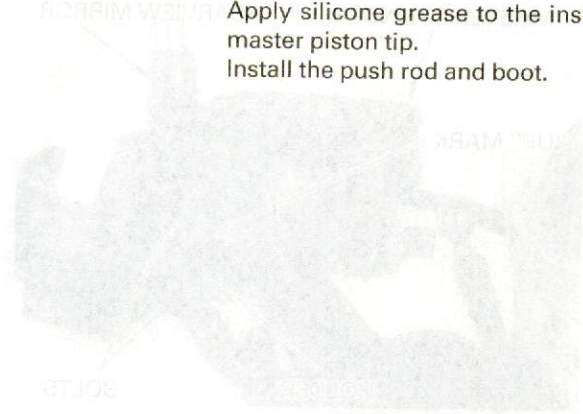
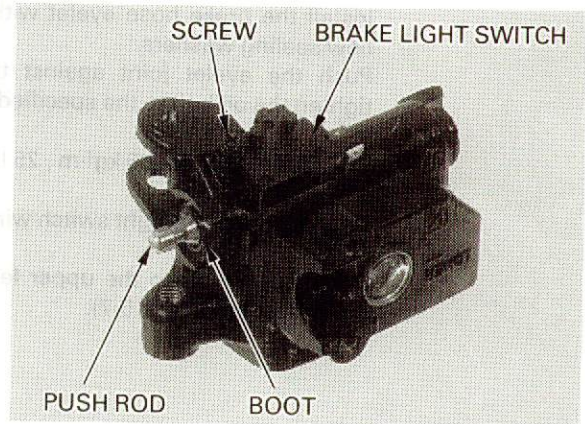
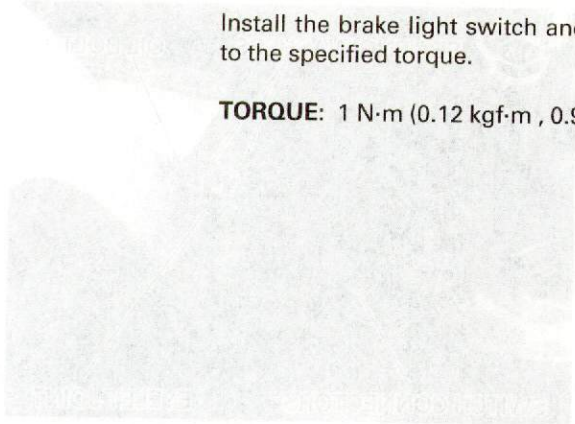


Apply silicone grease to the inside of the boot and master piston tip.  
Install the push rod and boot.

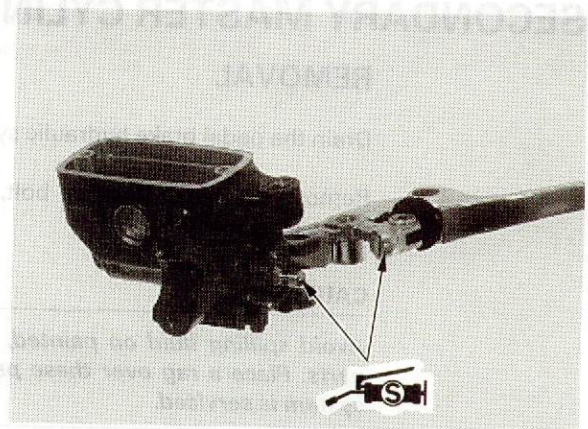
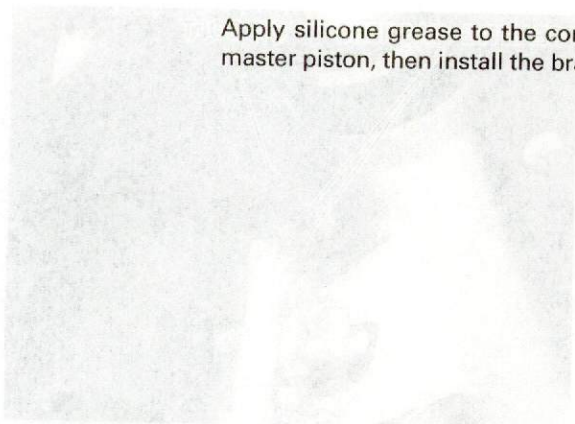


Install the brake light switch and tighten the screw to the specified torque.

**TORQUE:** 1 N·m (0.12 kgf·m , 0.9 lbf·ft)



Apply silicone grease to the contact surface of the master piston, then install the brake lever assembly.



Install and tighten the pivot bolt to the specified torque.

**TORQUE:** 1 N·m (0.1 kgf·m , 0.7 lbf·ft)

Hold the pivot bolt and tighten the pivot nut to the specified torque.

**TORQUE:** 6 N·m (0.6 kgf·m , 4.3 lbf·ft)

