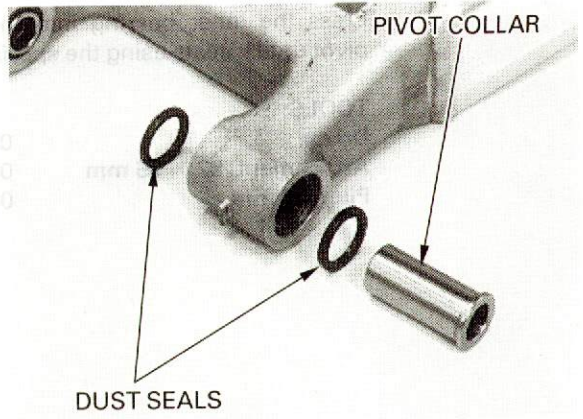


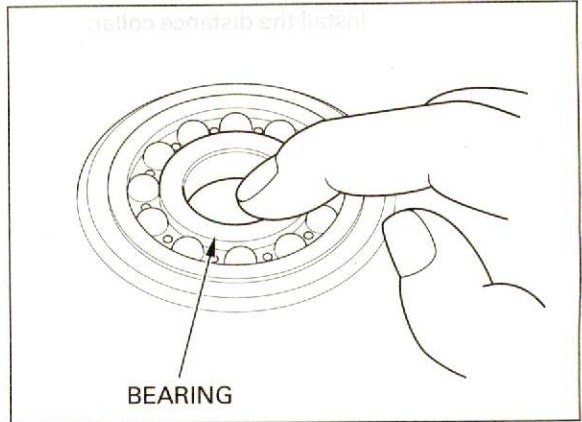
Remove the pivot collar and dust seals from the swingarm left pivot.

Check the dust seals and collar for damage or fatigue.



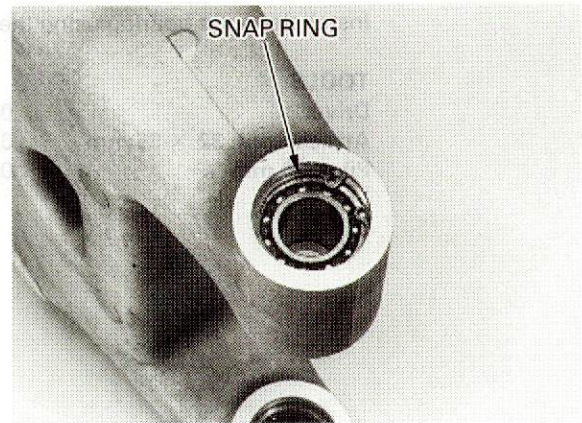
Turn the inner race of right pivot bearings with your finger. The bearings should turn smoothly and quietly. Also check that the bearing outer race fits tightly in the hub.

Remove and discard the bearings if the races do not turn smoothly and quietly, or if they fit loosely in the pivot.



PIVOT BEARING REPLACEMENT

Remove the snap ring.



Press out the right pivot bearings (radial ball bearings) and distance collar from the swingarm pivot using the special tools.

TOOLS:

Driver attachment handle
Attachment 28 × 30 mm
Pilot, 20 mm

07949-3710001
 07946-1870100
 07746-0040500

