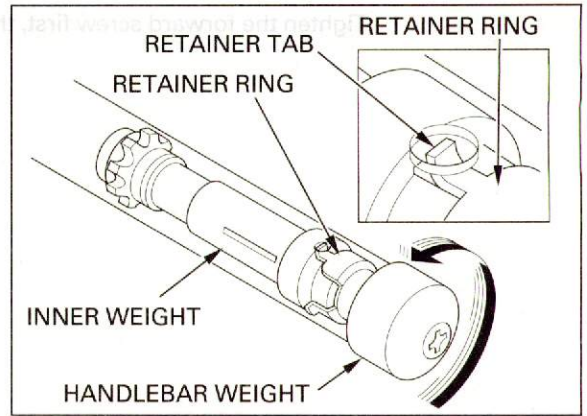
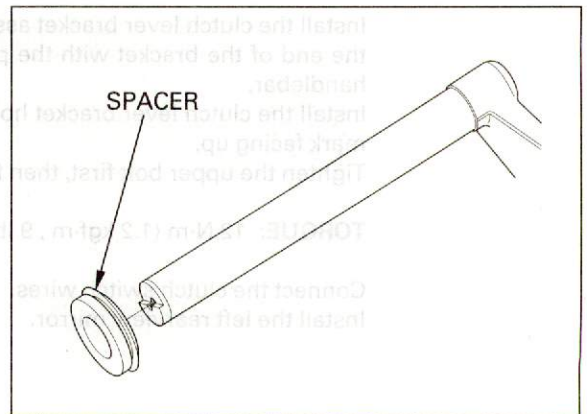


Insert the handlebar weight assembly into the handlebar.
Turn the handlebar weight and hook the retainer tab with the hole in the handlebar.



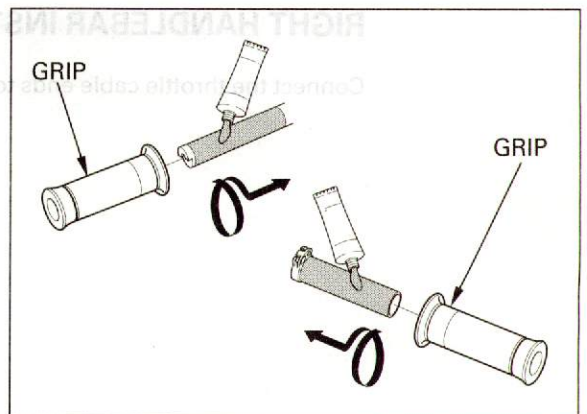
Install the left handlebar switch spacer onto the left handlebar.



Apply Honda Bond A or equivalent to the inside of the grip and to the clean surfaces of the left handlebar and throttle grip.

Wait 3–5 minutes and install the grip.
Rotate the grip for even application of the adhesive.

Allow the adhesive to dry for an hour before using.



Install the spacer into the handlebar switch groove.
Install the left handlebar switch aligning its locating pin with the hole in the handlebar.

