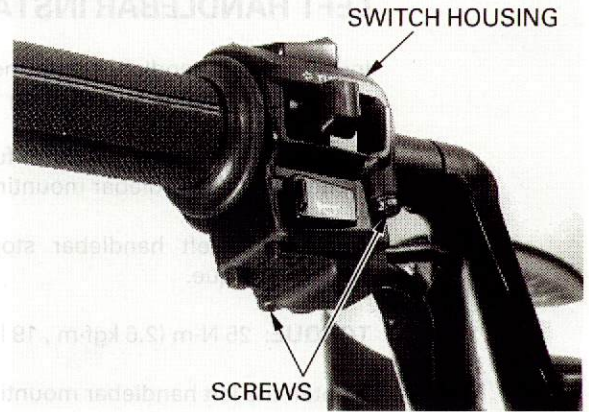
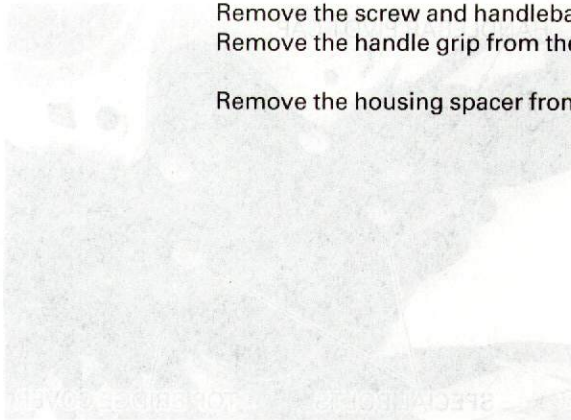


# FRONT WHEEL/SUSPENSION/STEERING

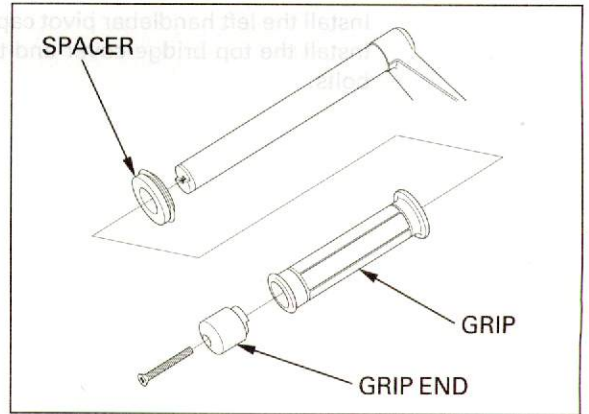
Remove the screws and left handlebar switch housing.



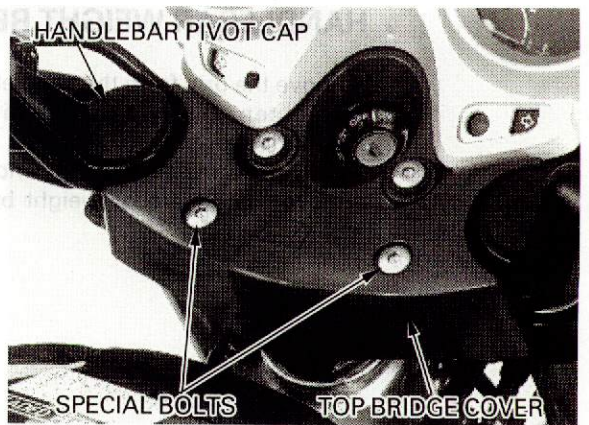
Remove the screw and handlebar grip end.  
Remove the handle grip from the handlebar.



Remove the housing spacer from the handlebar.



Remove the special bolts and top bridge cover.  
Remove the left handlebar pivot cap.



Remove the handlebar stopper bolt and mounting bolt, then remove the left handlebar.

