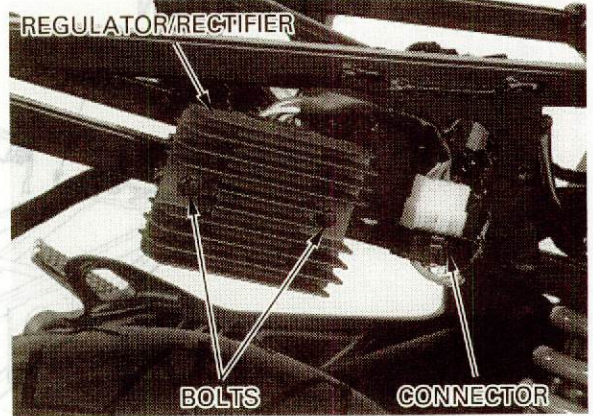


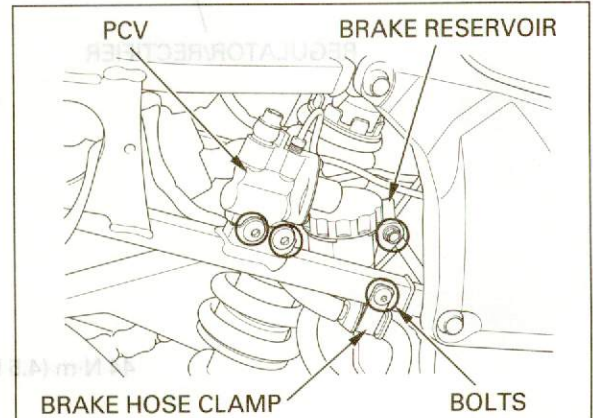
## FRAME/BODY PANELS/EXHAUST SYSTEM

Install the regulator/rectifier, tighten the bolts.  
Connect the regulator/rectifier 6P (Black) connector.



Install and tighten the PCV (Proportional Control Valve) mounting bolts.  
Install and tighten the rear brake hose clamp bolt.  
Install and tighten the rear brake reservoir tank mounting bolt.

Install the removed parts in the reverse order of removal.

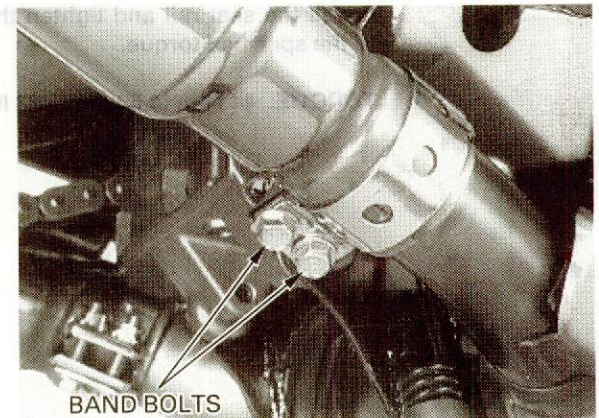


## MUFFLER/EXHAUST PIPE REMOVAL

### ▲WARNING

*Do not service the exhaust system while it is hot.*

Loosen the exhaust pipe/muffler band bolts.



Loosen the muffler front mounting nut.

