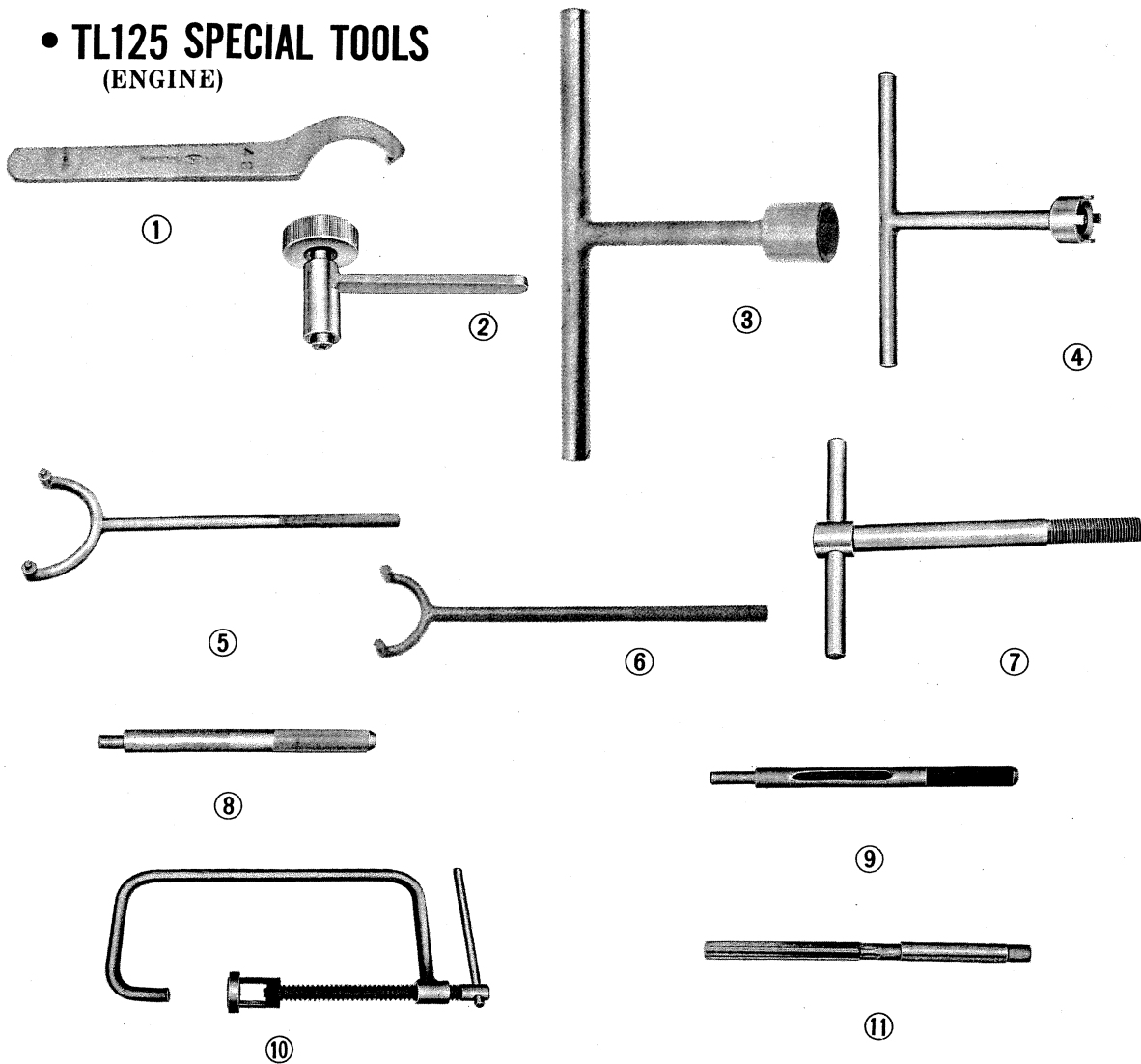


TL125

• TL125 SPECIAL TOOLS (ENGINE)



Ref. No.	Tool No.	Description
	07900-3550000	Special tool set
1	07902-2000000	Pin spanner 48mm
2	07908-0010000	Wrench, tappet adjusting
3	07915-2160000	Wrench, stem nut 29mm
4	07916-2830000	Wrench, locknut 16mm
5	07922-0300000	Holder, drive sprocket
6	07923-1070000	Holder, clutch outer
7	07933-2000000	Puller, roter
8	07942-2160100	Driver, Valve guide
9	07942-3290200	Remover, Valve guide
10	07957-3290000	Compressor, Valve Spring
11	07984-0980000	Reamer, Valve guide