

## 1. GENERATING SYSTEM

The charging system is an A.C. generator (magnetic single phase A.C. generator) which consists of the stator and rotor. The A.C. generator is rectified by the selenium rectifier and is used to charge the battery.

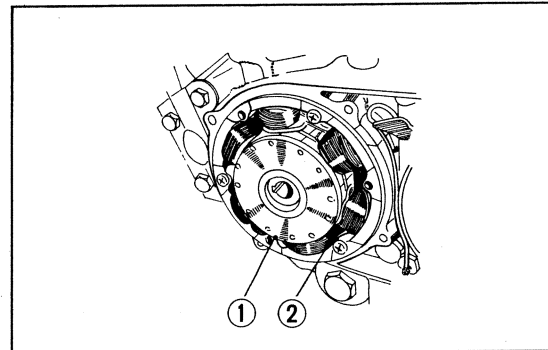


Fig. 148 ① Rotor ② Stator

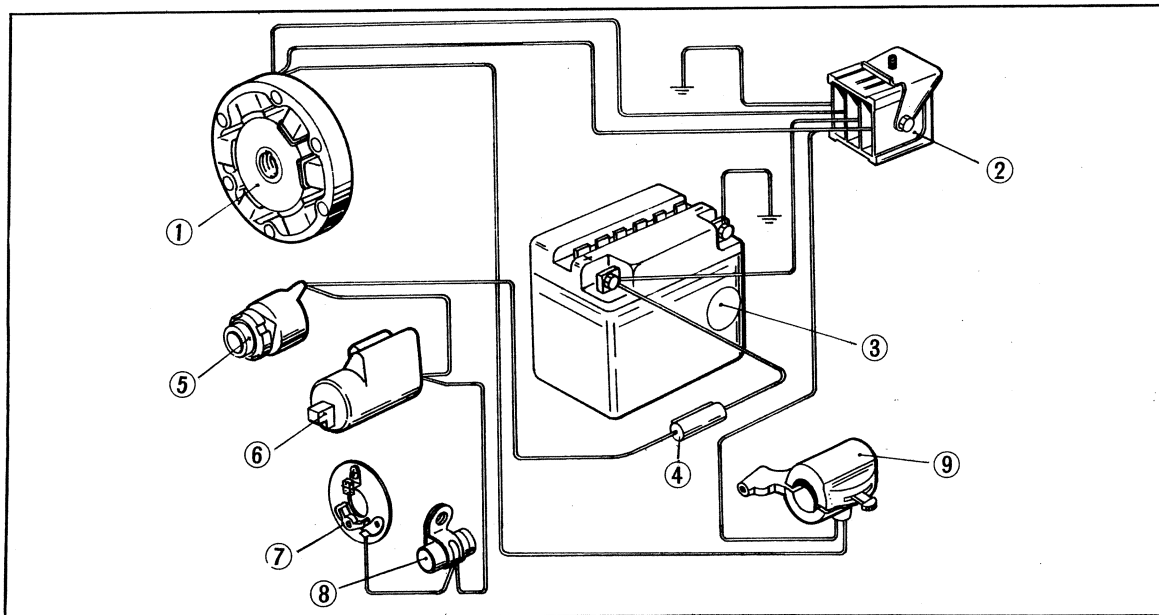


Fig. 149 ① A.C. generator ② Selenium rectifier ③ Battery ④ Fuse ⑤ Combination switch ⑥ Ignition coil ⑦ Braker points ⑧ Condenser ⑨ Lighting switch

### A.G. GENERATING SPECIFICATIONS

Type & manufacturer	Rotary type. Kokusan Denki or Nippon Denki
Output	6V50W (at 5,000 rpm in night)
Battery voltage	6V-6A
Changing rpm	500-12,000 rpm
Polarity of ground	⊖
weight	1.45kg (3.20 lbs)