

(SL100, SL125)

Attach the headlight case stay between the fork top bridge and steering stem and install the front fork as a unit.

Tighten the front fork mounting bolts.

- 5) Install the headlight case.

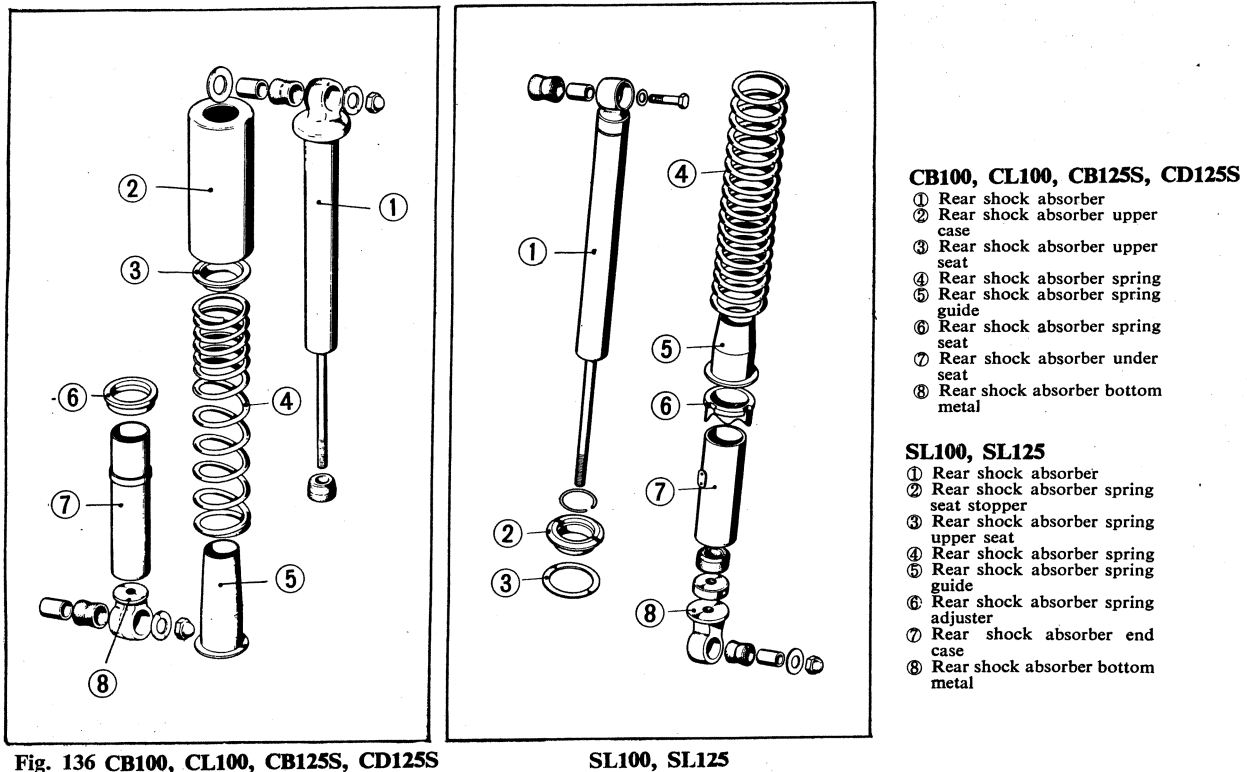
5. REAR SUSPENSION

Fig. 136 CB100, CL100, CB125S, CD125S

SL100, SL125

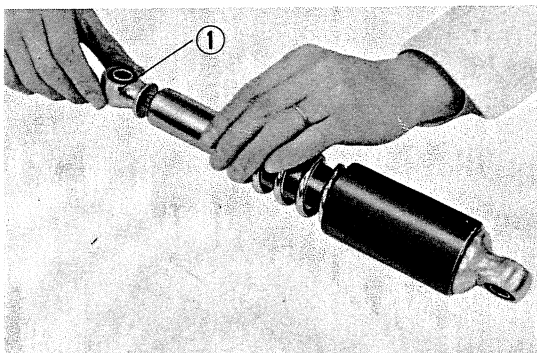


Fig. 137 Rear shock absorber disassembly
① Bottom metal

A. Disassembly

- 1) Remove the rear wheel in accordance with section 2.A.
- 2) Unscrew the two rear shock absorber mounting cap nuts and remove the shock absorber from the frame and rear fork.
- 3) Remove the rear shock absorber bottom metal and then separate the spring and upper case (Fig. 137)
- 4) Remove the chain case.
- 5) Loosen the rear fork pivot nut, extract the rear fork pivot bolt and then remove the rear fork.
- 6) Remove the cotter pin and nut and then remove the rear brake stopper arm from the rear fork.