

- 6) Install the center shift fork in the same manner. (Fig. 95)

**Note:**

**Perform installation from the counter shaft end.**

- 7) Install the left gear shift fork, align the holes in the three shift forks and then insert the shaft in from the top.
- 8) Install the crankshaft.
- 9) When installing the left crankcase, make sure that the kick spindle shaft is perpendicular to the hole in the left crankcase. (Fig. 96)

## 11. CARBURETOR

### Float level adjustment

- 1) Set the carburetor on its side.
- 2) Raise the float lightly with the finger tip and locate the position of the float where the float arm and the float valve are either barely touching or provided with a clearance of **0.1 mm (0.003 in.)**
- 3) In this position, the height of the float above the carburetor body should be **24 mm (0.826 in.)** when measured at the side of the float. If adjustment is necessary, carefully bend the float arm. (Fig. 97)

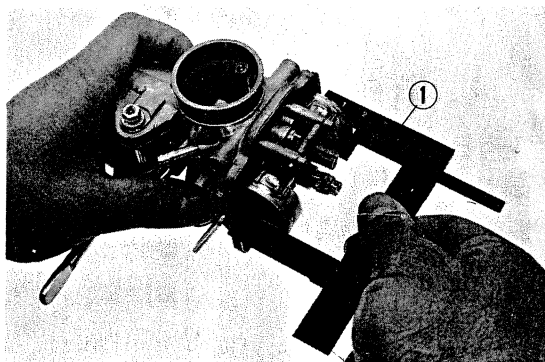


Fig. 97 ① Fuel level gauge

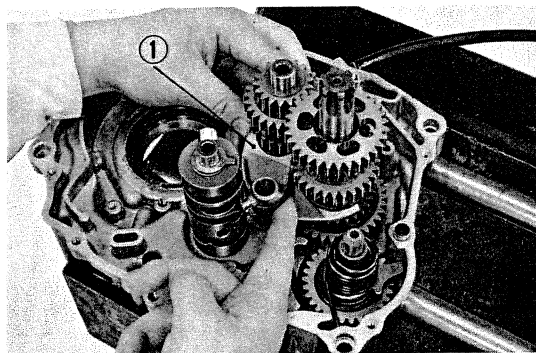


Fig. 95 ① Center shift fork

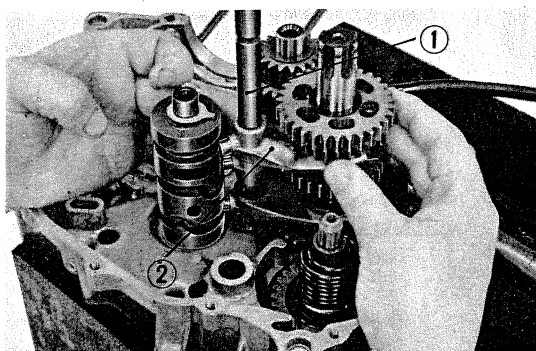


Fig. 96 ① Shift fork guide shaft ② L. shift fork

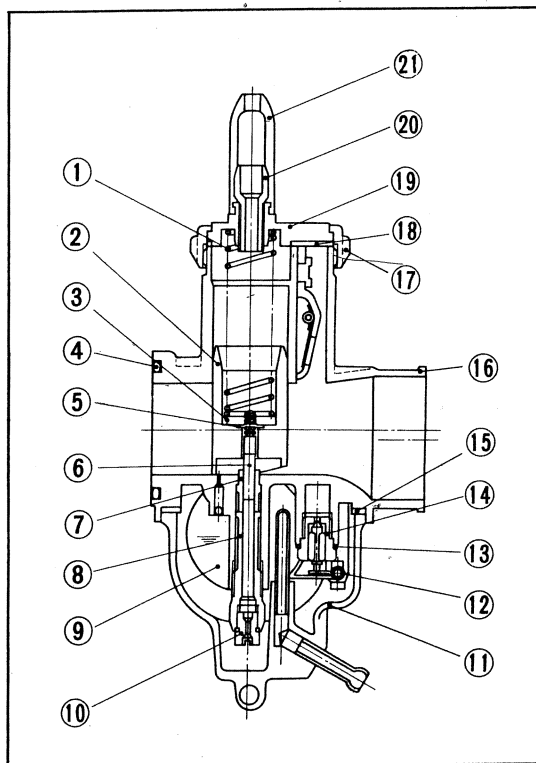


Fig. 98 ① Coil spring ② Throttle valve ③ Needle clip plate ④ O ring ⑤ Bar clip ⑥ Jet needle ⑦ Needle jet ⑧ Needle jet holder ⑨ Float ⑩ Main jet ⑪ Float chamber body ⑫ Arm pin ⑬ Valve seat ⑭ Slow jet ⑮ Float chamber washer ⑯ Body ⑰ Cap ⑱ Top washer ⑲ Top ⑳ Cable adjuster ㉑ Rubber cap