

Fig. 86 Crankcase tightening  
① Screwdriver

### C. Reassembly

- 1) Assemble the crankshaft into the right crankcase.

**Note:**

Fit the crankshaft gently into the case. Forcibly handling or hammering may cause damage to ball bearings.

- 2) Install the left crankcase with the 6 mm attaching screws. (Fig. 86)

**Note:**

Exercise care not to cause the packing to shift or forget to install the two dowel pins.

## 10. TRANSMISSION AND PRIMARY KICK STARTER

The motorcycle of six models utilizes a five speed transmission. Since it incorporates a primary kick, the engine can be started with the gears engaged by disengaging the clutch. The kick gear will directly engage the crankshaft through the primary driven gear which rotates freely on the main shaft.

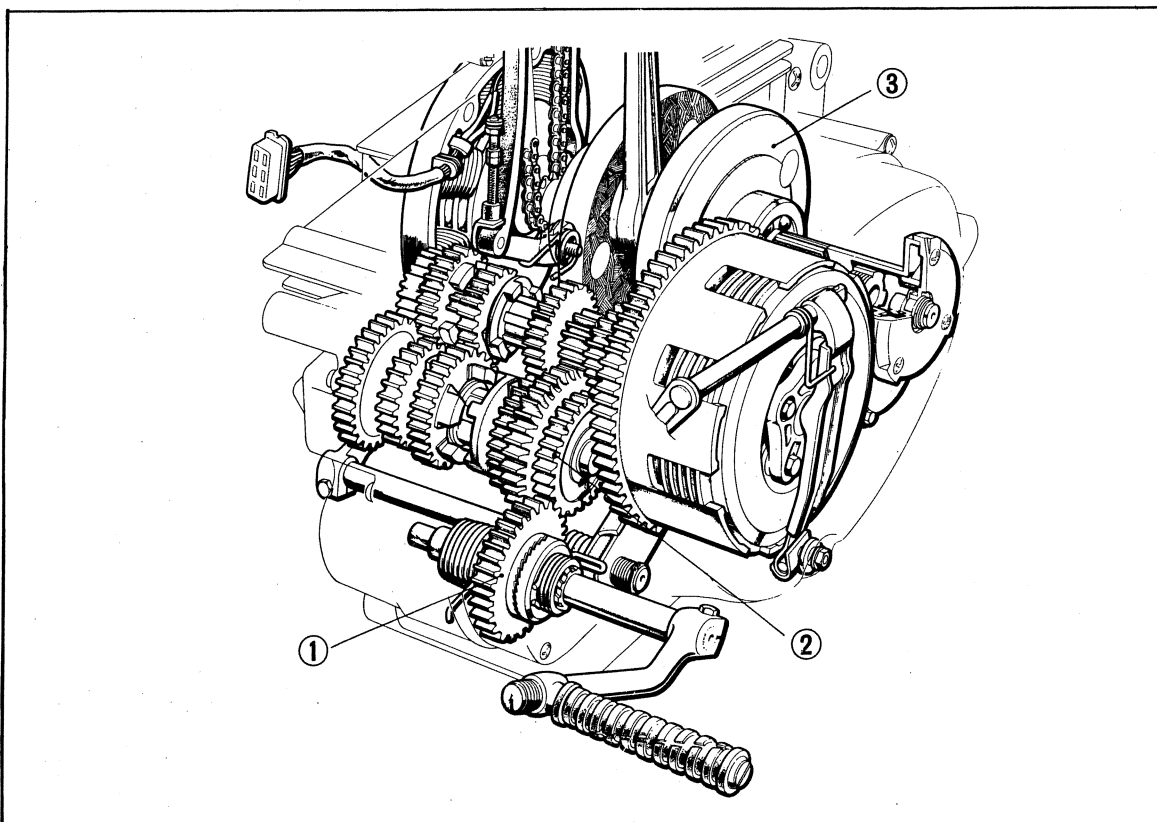


Fig. 87 ① Kick gear ② Primary starter idle gear ③ Crankshaft