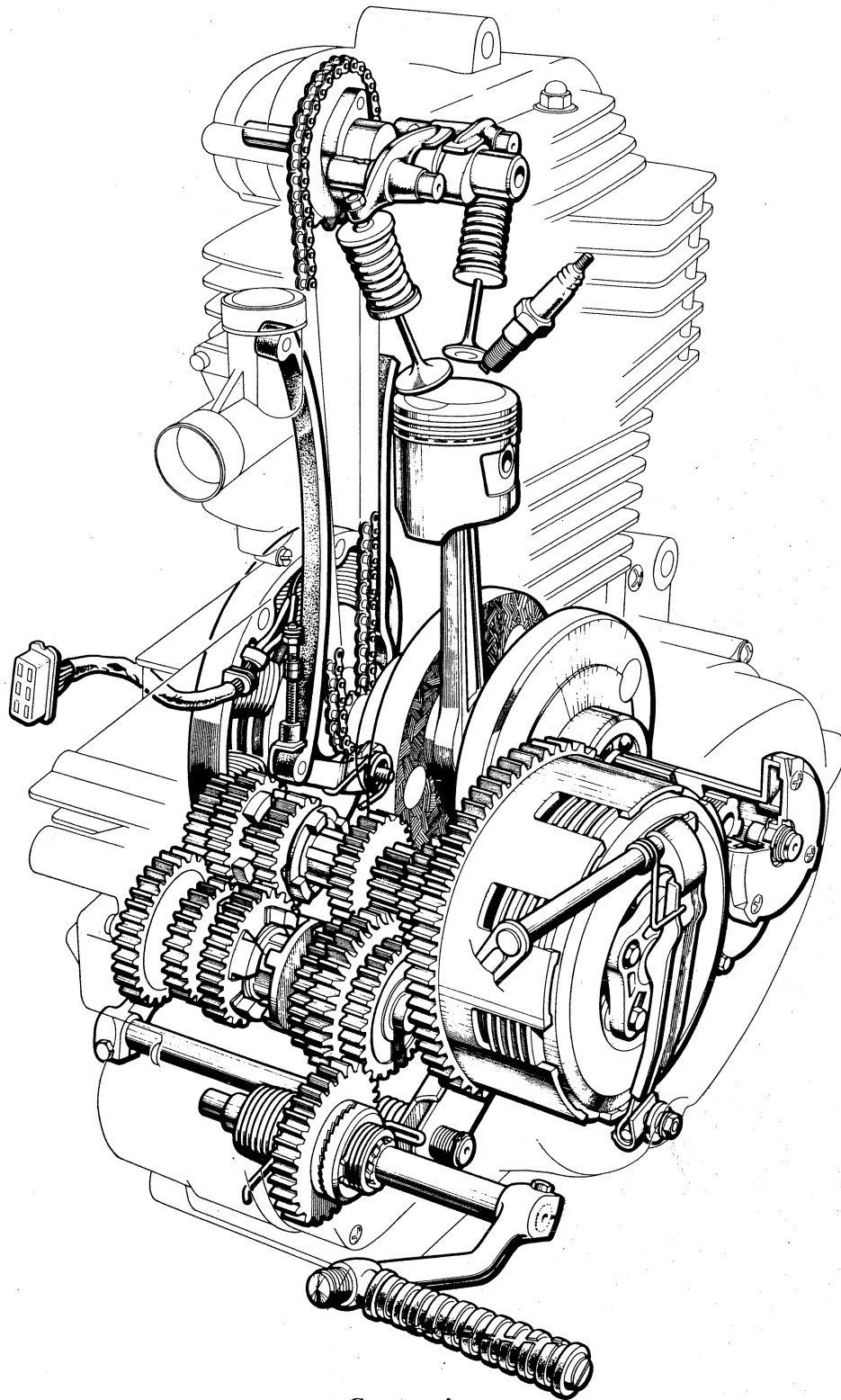


III. ENGINE



Construction