

4. FRONT SUSPENSION

	stroke	damping force
TL125	152mm	15~20kg/0.5m/sec

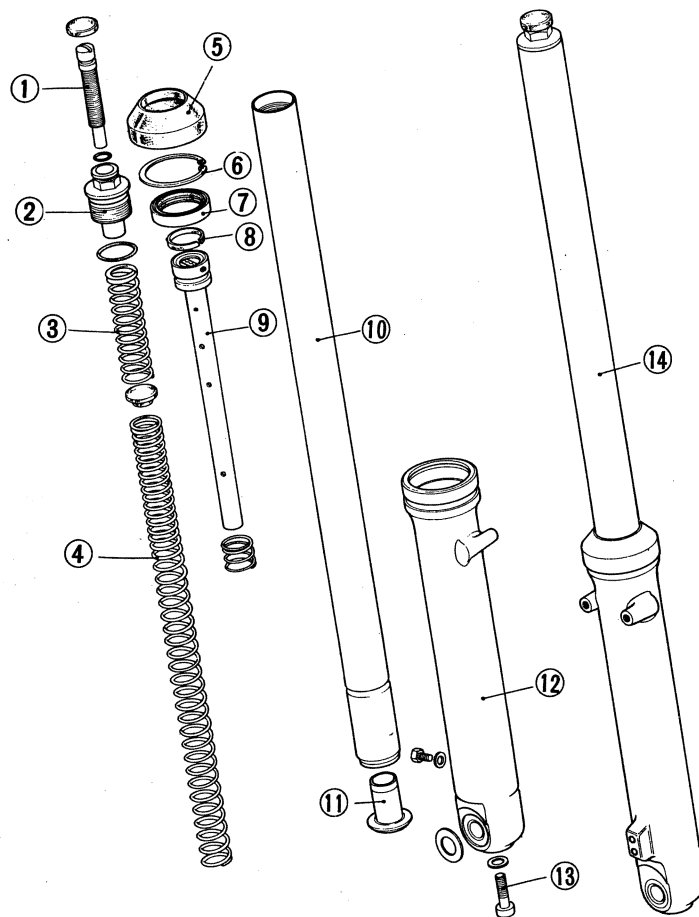


Fig. 38

- | | |
|----------------------------|--------------------------|
| ① Spring adjuster | ⑧ Piston ring |
| ② Fork bolt | ⑨ Under seat |
| ③ Front cushion spring "A" | ⑩ Front fork pipe |
| ④ Front cushion spring "B" | ⑪ Oil lock piece |
| ⑤ Front fork dust seal | ⑫ Front fork bottom case |
| ⑥ Inner snap ring (45mm) | ⑬ Fork bolt cap |
| ⑦ Oil seal (31×43×12.5) | ⑭ Front fork Assy |

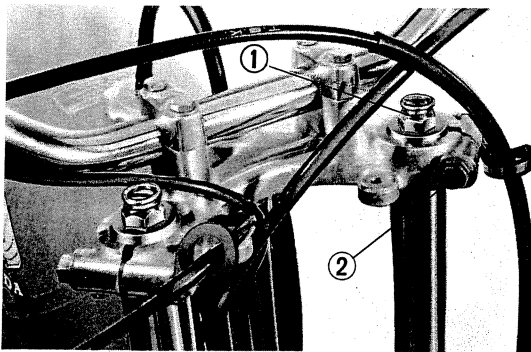


Fig. 39 ① Front fork bolt ② Clamp bolts

A. DISASSEMBLY NOTES

- 1) Remove the front wheel. For details, see page 37.
- 2) Before removing each front fork, remove the fork bolt and drain bolt.
- 3) Move the front fork to drain the oil.
- 4) Loosen the upper and lower clamp bolts and pull the front fork down.