

B. Inspection

1) Rear shock absorber spring.

Item	Standard value	Serviceable limit	
Free length	CB100 CL100 CB125S CD125S	180.9mm (7.1200 in.)	160mm (6.2992 in.)
	CL100 SL125	190mm (7.4803 in.)	170mm (6.6929 in.)

Replace if beyond the serviceable limit.

- 2) Check the shock absorber for oil leaks. If leaks from inside of body, replace the body with new one.
- 3) Check the main damper body for damage or deformation and damper action. If damaged or shock absorber action is not satisfactory, replace with new one. The shock absorber cannot be disassembled and repaired.
- 4) Check the shock absorber case and stopper for damage. Replace if damaged.
- 5) Clearance between the rear fork pivot bushing and bolt.

Item	Standard value	Serviceable limit
Clearance	0.1-0.3mm (0.0031-0.0118 in.)	0.5mm (0.0196 in.)

Replace if beyond the serviceable limit.

- 6) Check the pivot shaft for bend or damage. Straighten the bent shaft and check with the dial gauge. If damaged, replace with new one.
- 7) Check the rear fork swing arm for bend, twist and crack. If slightly bent or twisted, straighten with press and check the swinging arm with the dial gauge. If damaged, replace with new one.

C. Reassembly

- 1) Install the rear brake arm stopper on the rear fork.
- 2) Insert the grease coated pivot bushing into the rear fork and install this on frame with the rear fork pivot bolt. (Fig. 139)
- 3) Install the chain case on the rear fork, join the rear shock absorber complete to the frame and fork, install and tighten cap nuts.
- 4) Install the rear wheel.

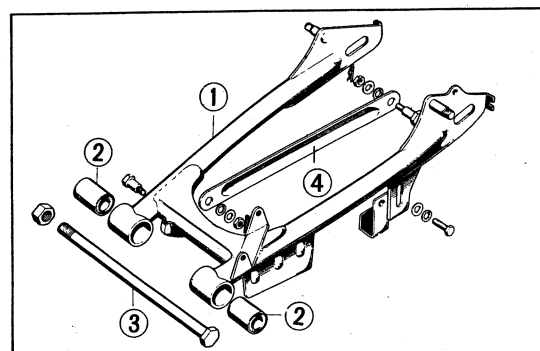


Fig. 138 ① Rear fork ② Rear fork pivot rubber bush
③ Rear fork pivot bolt ④ Rear brake stopper arm

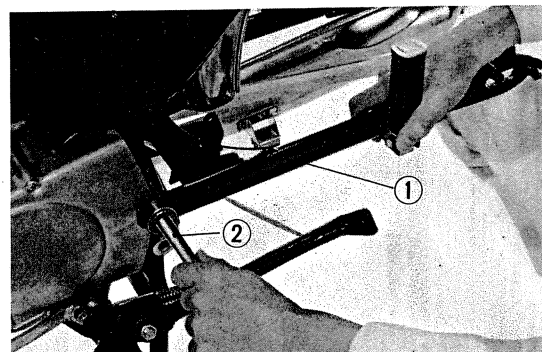


Fig. 139 Rear fork assembly
① Rear fork ② Rear fork pivot bolt

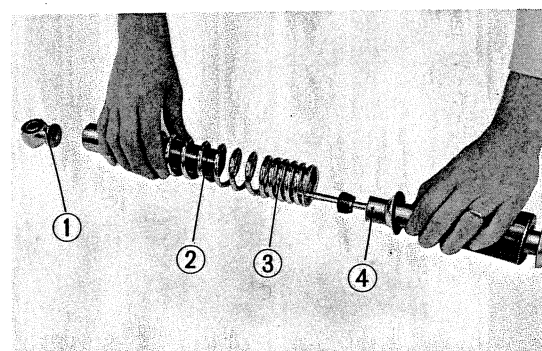


Fig. 140 Rear shock absorber assembly
① Bottom metal ② Spring guide
③ Shock absorber spring ④ Shock absorber body

Note:

- When assembling the rear shock absorber complete, the large pitch end of spring goes toward the top. (Fig. 140)
- After completing installation, adjust the tension of drive chain and the rear brake.