

8. CAM CHAIN TENSIONER AND A.C. GENERATOR

A friction plate cam chain tensioner is utilized, and a plate spring supports the entire one side of the cam chain to control the slack in the chain. A chain guide is mounted on the opposite side to reduce the chain noise for a quiet operation. (Fig. 76) The description of the A.C. generator is found in the electrical system section.

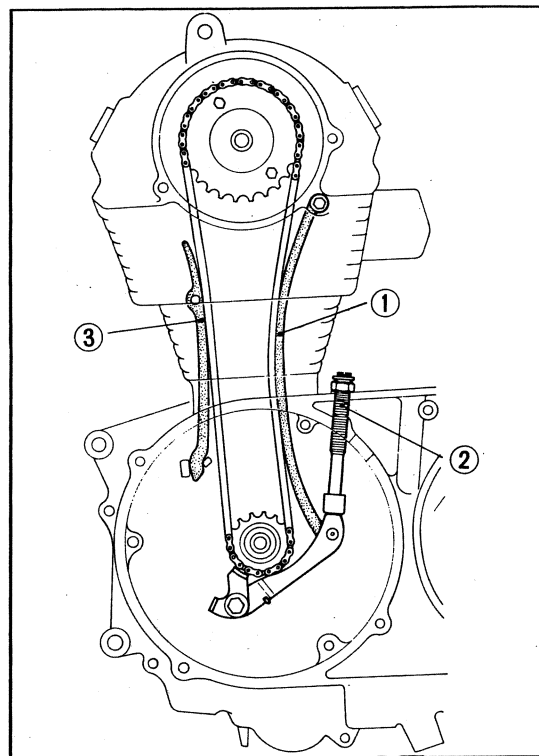


Fig. 76 ① Cam chain tensioner ② Adjusting bolt
③ Cam chain guide

A. Disassembly

- 1) Loosen four screws and remove the left crankcase cover.
- 2) Remove generator mounting bolts and remove the rotor assembly. (Fig. 77)
- 3) Loosen three 6mm A.C. generator mounting screws and remove the generator.
- 4) Remove the cam chain adjuster nut. (Fig. 78)
- 5) By removing the tensioner pivot bolt, the cam chain tensioner and the cam chain tensioner arm can be disassembled. (Fig. 78)
- 6) By removing the tensioner arm and push rod, the tensioner adjusting bolt can be pulled out. (Fig. 78)

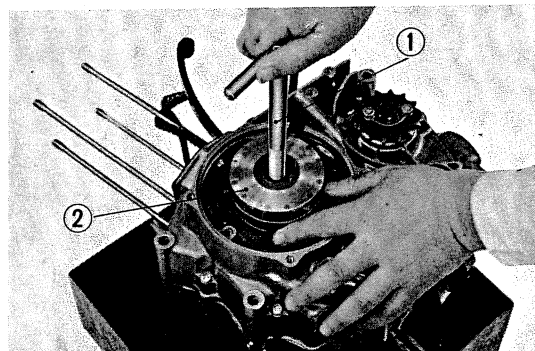


Fig. 77 Rotor removal
① Dynamo rotor puller (Tool No. 07011-03001)
② Dynamo rotor

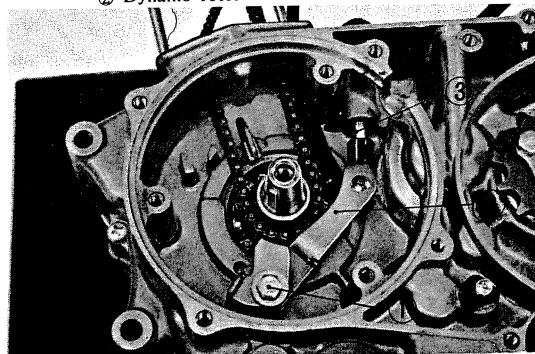


Fig. 78 ① Bolt ② Cam chain tensioner arm
③ Adjusting bolt