

Fig. 19 Brake lever play

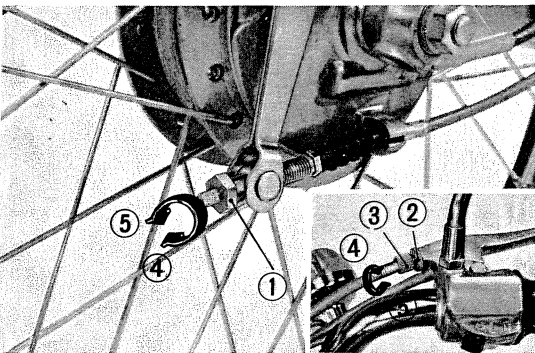


Fig. 20 ① Adjuster nut ② Lock nut ③ Adjuster nut ④ Decrease ⑤ Increase Fig. 20-A

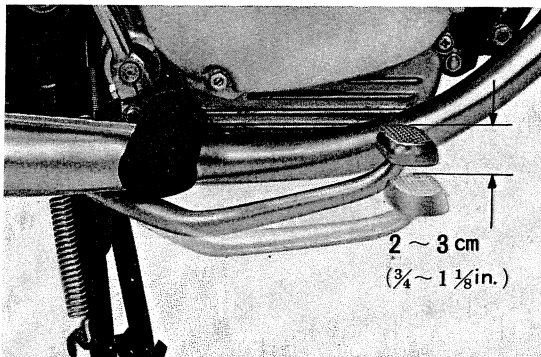


Fig. 21 Brake pedal play

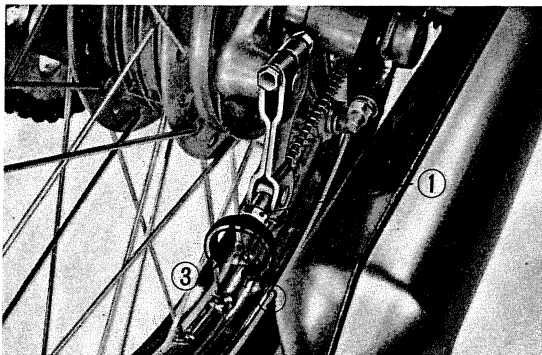


Fig. 22 ① Adjuster nut ② Decrease ③ Increase

11. BRAKE ADJUSTMENT

(Front wheel)

Check the brake free play at the end of the brake lever. The play should be **2-3 cm (3/4-1.1/8 in.)**. (Fig. 19) If it is not within this range, adjust it in accordance with the following procedure.

1) Turn the adjuster nut clockwise to reduce play in the brake lever. (Fig. 20)

2) Minor or fine adjustment can be made with adjuster nut on the clutch lever. (Fig. 20-A)

(Rear wheel)

Check the brake free play at the end of the brake pedal. The play should be **2-3 cm (3/4-1.1/8 in.)**. (Fig. 21) If it is not within this range, adjust it in accordance with the following procedure.

1) Turn the adjuster nut clockwise to reduce the amount of play in the brake pedal. (Fig. 21)

2) Minor or fine adjustment can be made with adjuster nut on the brake lever.